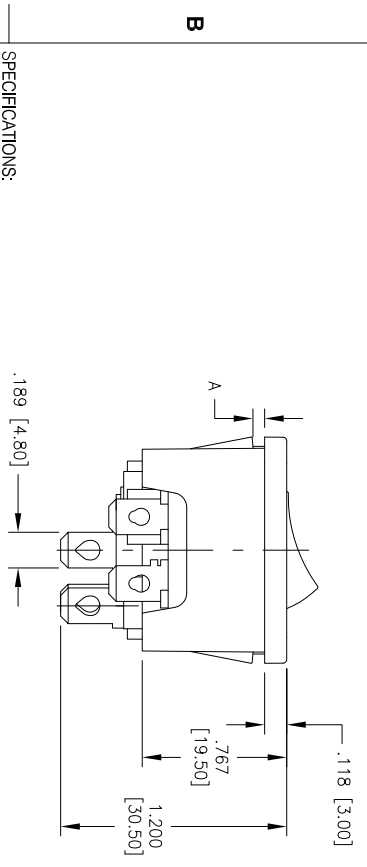
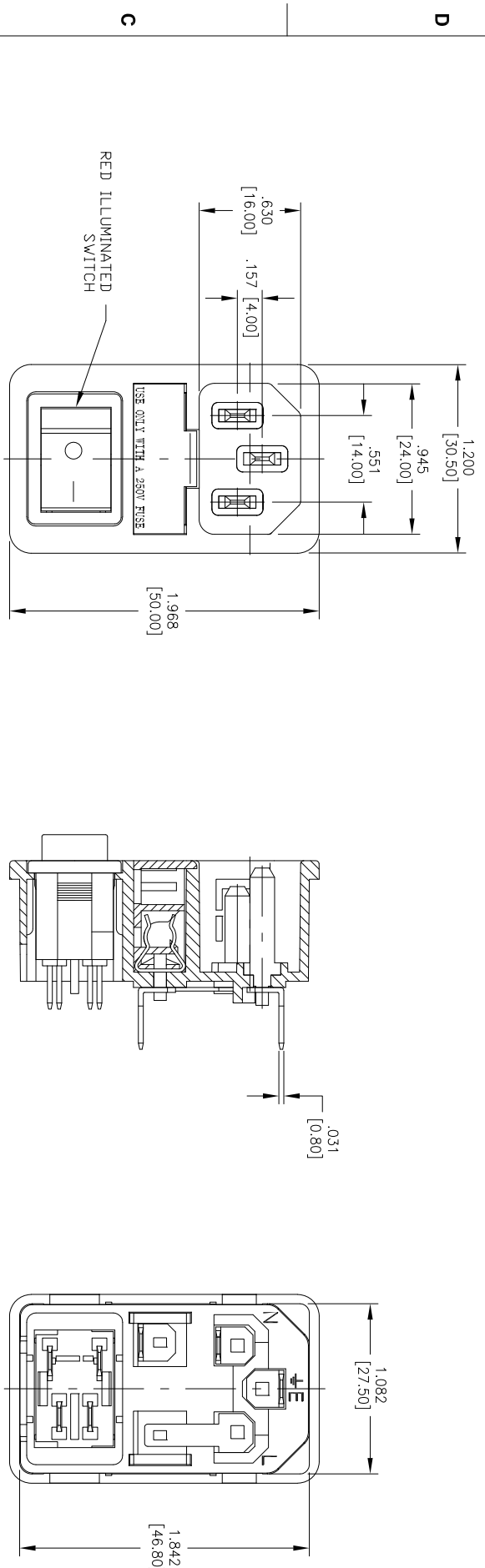


Rev	AWO #	Description	Date	Appr
-		RELEASED	1/5/11	

APPROVED: _____ TITLE: _____
 DATE: _____



IEC-GS-1-XXX-RLS	A
IEC-GS-1-100-RLS	.039 [1.00]
IEC-GS-1-150-RLS	.059 [1.50]
IEC-GS-1-200-RLS	.079 [2.00]

PANEL CUT-OUT

SPECIFICATIONS:
 Material: _____
 Insulator: Thermoplastic, rated UL 94V-0
 Insulator color: Black
 Contacts: Brass
 Plating: _____
 Tin over Copper underplate
 Electrical: _____
 Operating voltage: 250 VAC max
 Current rating: 15 Amps max (cUL)
 10 Amps max (VDE)

Insulation resistance: 100 Mohms min @ 500 VDC
 Dielectric withstanding voltage: 2000 VAC for 1 minute
 Temperature Rating: _____
 Operating temperature: -65°C to +125°C
 Environmental: _____
 Lead free, RoHS compliant.

UNLESS OTHERWISE SPECIFIED
 ALL DIMENSIONS ARE MM [INCHES]
 TOLERANCES EXCEPT AS NOTED
 INCHES HOLES
 X ± .10 ØX ± .10
 .XX ± .020 ØXX ± .015
 .XXX ± .015 ØXXX ± .010
 APPROVALS DATE

ADAM TECH
 909 Rahway Avenue, Union, NJ 07083
 Phone: 908-687-5000 Fax: 908-687-5710

TITLE: IEC CONNECTOR, ISOLATED FUSE
 1.50mm SNAP IN, .187" [4.80] QC TERMINAL

APPROVED	CHECKED	DRAWN	APPROVALS
	JL	AY	

SIZE	PART NO.	SCALE	SHEET	REV.
X	IEC-GS-1-XXX-RLS	NIS	1 OF 1	-