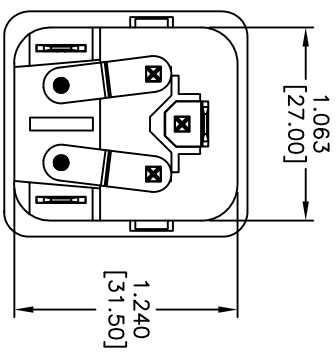
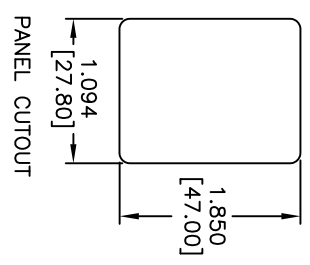
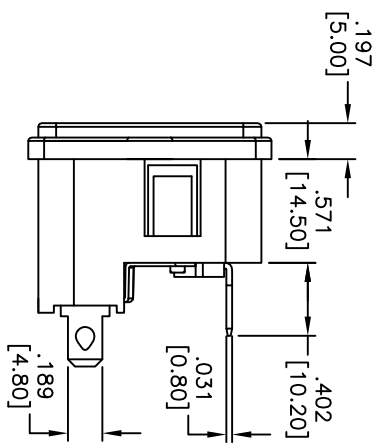
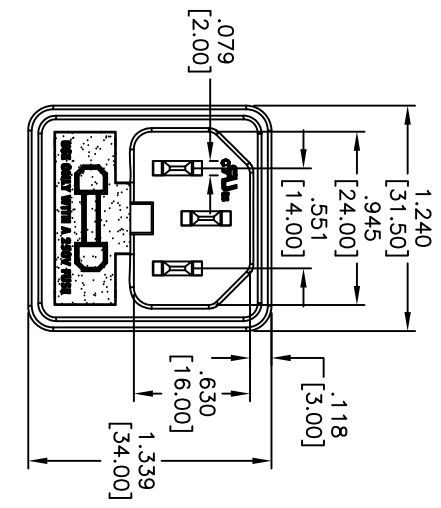
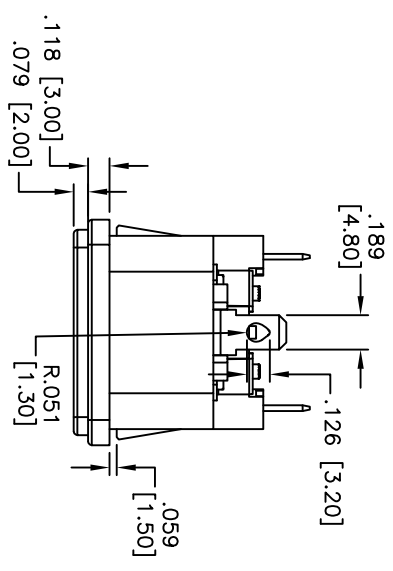


Rev	AWO #	Description	Date	Appr
-	11219	RELEASED	3/30/11	

APPROVED: \_\_\_\_\_ TITLE: \_\_\_\_\_  
 DATE: \_\_\_\_\_



**SPECIFICATIONS:**  
 Material: Nylon66, rated UL 94V-0  
 Insulator color: Black  
 Contacts: Brass  
 Plating: Tin over Copper underplate  
 Electrical: Operating voltage: 250 VAC max  
 Current rating: 10 Amps max  
 Environmental: Lead free, RoHS compliant.



# ADAM TECH

909 Railway Avenue, Union, NJ 07083  
 Phone: 908-687-5000 Fax: 908-687-5710

**TITLE**  
 IEC CONNECTOR, ISOLATED FUSE  
 1.50mm SNAP IN, .187" [4.8] QC TERMINAL

UNLESS OTHERWISE SPECIFIED ALL DIMENSIONS ARE MM [INCHES] TOLERANCES: EXCEPT AS NOTED	
INCHES	Holes
.X ± .10	ØX ± .10
.XX ± .020	ØXX ± .015
.XXX ± .015	ØXXX ± .010
APPROVALS	DATE
DRAWN DY	3/30/11
CHECKED	
APPROVED	

SIZE	PART NO.	SCALE	SHEET
X	IEC-G-1-150-2F	MIS	1 OF 1
REF: S00081T			