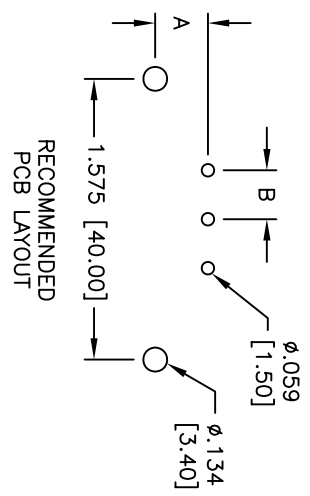
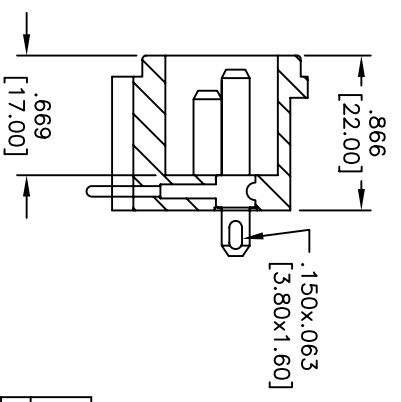
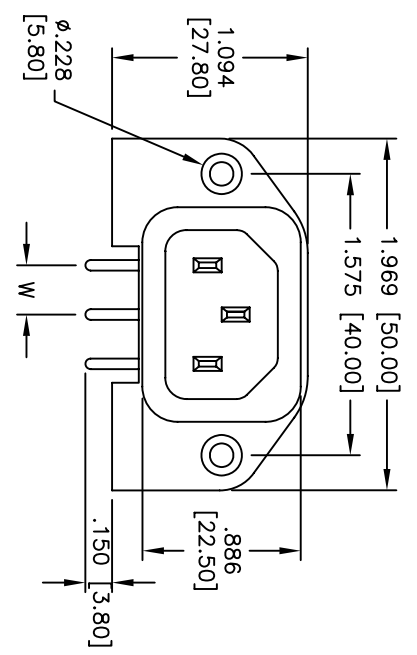
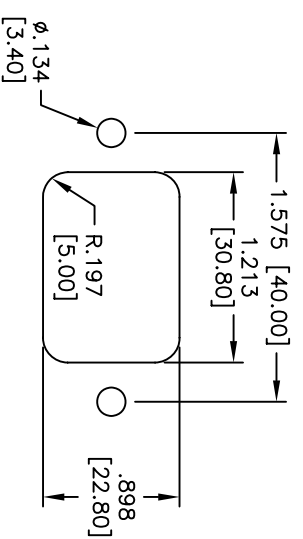
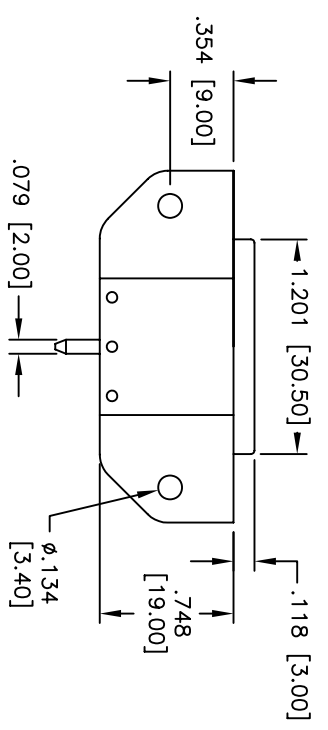


Rev	AWO #	Description	Date	Appr
-		RELEASED	6/17/05	

APPROVED: _____
 DATE: _____ TITLE: _____



PART NUMBER	DIMENSIONS	
	A	B
IEC-EW-4	.287 [7.30]	.276 [7.00]
IEC-EX-4	.287 [7.30]	.358 [9.10]
IEC-EY-4	.382 [9.70]	.276 [7.00]
IEC-EZ-4	.382 [9.70]	.358 [9.10]



RECOMMENDED
 PANEL CUT-OUT

SPECIFICATIONS:

Material: Insulator: PBT, glass reinforced, rated UL 94V-0
Insulator color: Black
Contacts: Brass
Plating: Tin over Copper underplate overall
Electrical:
 Operating voltage: 250 VAC
 Current rating: UL & CSA: 15 Amps max
 VDE: 10 Amps max
 Insulation resistance: 100 Mohms min @ 500 VDC
 Dielectric withstanding voltage: 2,000 VAC for 1 minute
Temperature Rating:
 Operating temperature: -25°C to +70°C
Environmental:
 Lead free, RoHS compliant
 Recommended soldering temp: 235°C for 5 seconds



UNLESS OTHERWISE SPECIFIED
 ALL DIMENSIONS ARE INCHES [MM]
 TOLERANCES: EXCEPT AS NOTED
 INCHES HOLEES
 .X ± .10 ØX ± .10
 .XX ± .020 ØXX ± .015
 .XXX ± .015 ØXXX ± .010
 APPROVALS DATE

ADAM TECH
 909 Rahway Avenue, Union, NJ 07083
 Phone: 908-687-5000 Fax: 908-687-5710
 TITLE: IEC MALE INLET, MOUNTING FLANGE
 RIGHT ANGLE, PCB TAILS

SIZE	PART NO.	REV.
X	IEC-EX-4	-

SCALE	SHEET	1 OF 1
NTS		