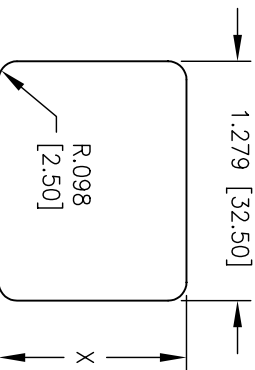
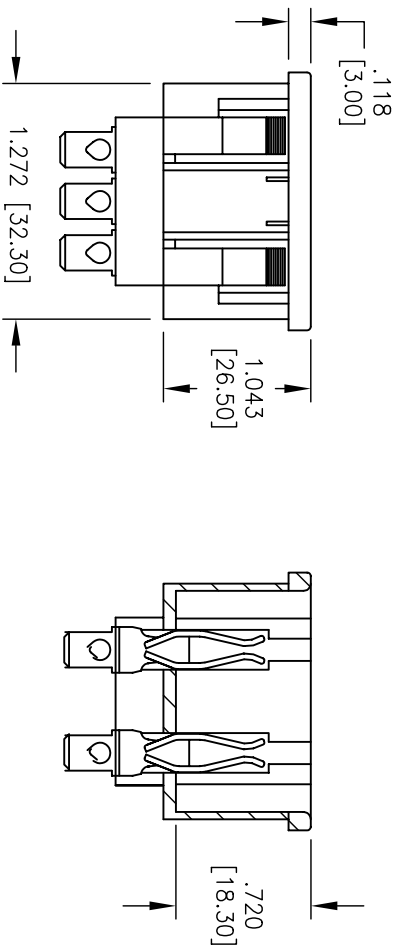
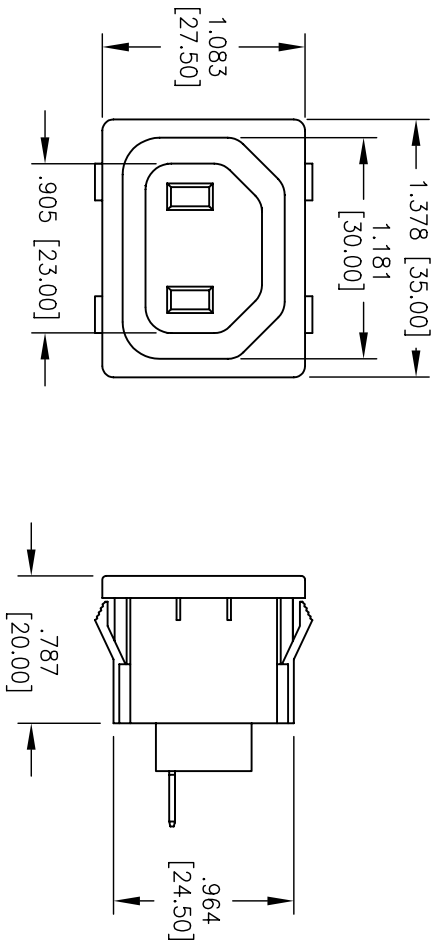


Rev	AWO #	Description	Date	Appr
-		RELEASED	8/17/04	

APPROVED: _____ TITLE: _____
 DATE: _____



RECOMMENDED PANEL THICKNESS: 0.80mm - 3.0mm

PANEL THICKNESS	DIM X
.031-.039 [0.8-1.0]	.780 [19.8]
.039-.059 [1.0-1.5]	.784 [19.9]
.079-.119 [2.0-3.0]	.788 [20.0]

TERMINAL OPTIONS		
1	2	5
.187 Q.C.	.250 Q.C.	.157 Solder

SPECIFICATIONS:

Material:

Insulator: PBT, glass reinforced, rated UL 94V-0
 Insulator color: Black
 Contacts: Brass

Plating:

QC Terminals: Nickel over Copper underplate.
 Solder Terminals: Tin over Copper underplate.

Electrical:

Operating voltage: 250 VAC max

Current rating: UL & CSA: 15 Amps max

VDE: 10 Amps max.

Insulation resistance: 100 Mohms min @ 500 VDC
 Dielectric withstanding voltage: 2000 VAC for 1 minute

Temperature Rating:

Operating temperature: -25°C to +70°C

UNLESS OTHERWISE SPECIFIED
 ALL DIMENSIONS ARE INCHES [MM]
 TOLERANCES: EXCEPT AS NOTED
 INCHES
 X ± .10 ØXX ± .10
 .XX ± .020 ØXXX ± .015
 .XXX ± .015 ØXXXX ± .010

ADAM TECH
 909 Rahway Avenue, Union, NJ 07083
 Phone: 908-687-5000 Fax: 908-687-5710

DRAWN	SS	8/17/04	TITLE	IEC, C17 FEMALE, UNIVERSAL SNAP
CHECKED			SIZE	PANEL MOUNT, NO GROUND
APPROVED			PART NO.	IEC-D-X-NG
			SCALE:	NTS
			SHEET	1 OF 1