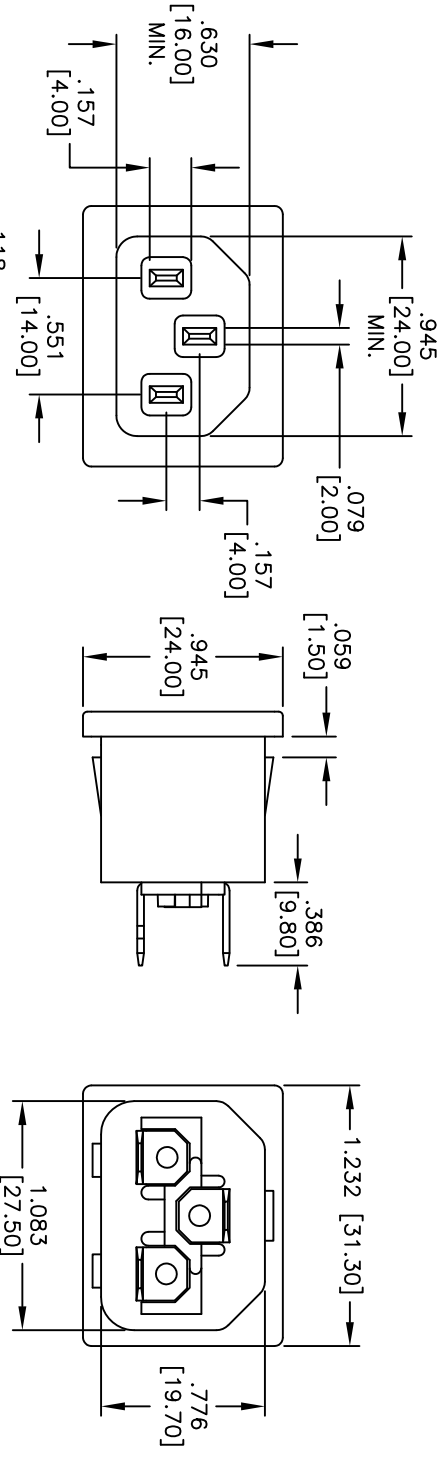


Rev	AWO #	Description	Date	Appr
-		RELEASED	4/28/10	

APPROVED: _____ TITLE: _____

DATE: _____



RECOMMENDED PANEL CUT-OUT

SPECIFICATIONS:

Material: Nylon 66, glass reinforced, rated UL 94V-0
 Insulator color: Black
 Contacts: Brass
 Plating: Tin over Copper underplate overall
 Electrical:
 Operating voltage: 250 VAC
 Current rating: UL & CSA: 15 Amps max
 VDE: 10 Amps max
 Insulation resistance: 100 Mohms min @ 500 VDC
 Dielectric withstanding voltage: 2,000 VAC for 1 minute
 Temperature Rating:
 Operating temperature: -25°C to +70°C
 Environmental:
 Lead free, RoHS compliant



ADAM TECH

909 Rahway Avenue, Union, NJ 07083
 Phone: 908-687-5000 Fax: 908-687-5710

TITLE: IEC MALE INLET, SNAP-IN PANEL MOUNT
 1.5mm PANEL, .187" QUICK CONNECTS

UNLESS OTHERWISE SPECIFIED ALL DIMENSIONS ARE MM [INCHES] TOLERANCES: EXCEPT AS NOTED		INCHES ± .10 HOLE DIA ± .015 Ø DIA ± .015 DATE	
APPROVALS	DATE	DATE	
DRAWN	DY	4/28/10	
CHECKED			
APPROVED			
SIZE	PART NO.	IEC-C-1-150-TBPS	
REF: S00037T	SCALE: NTS	SHEET 1 OF 1	