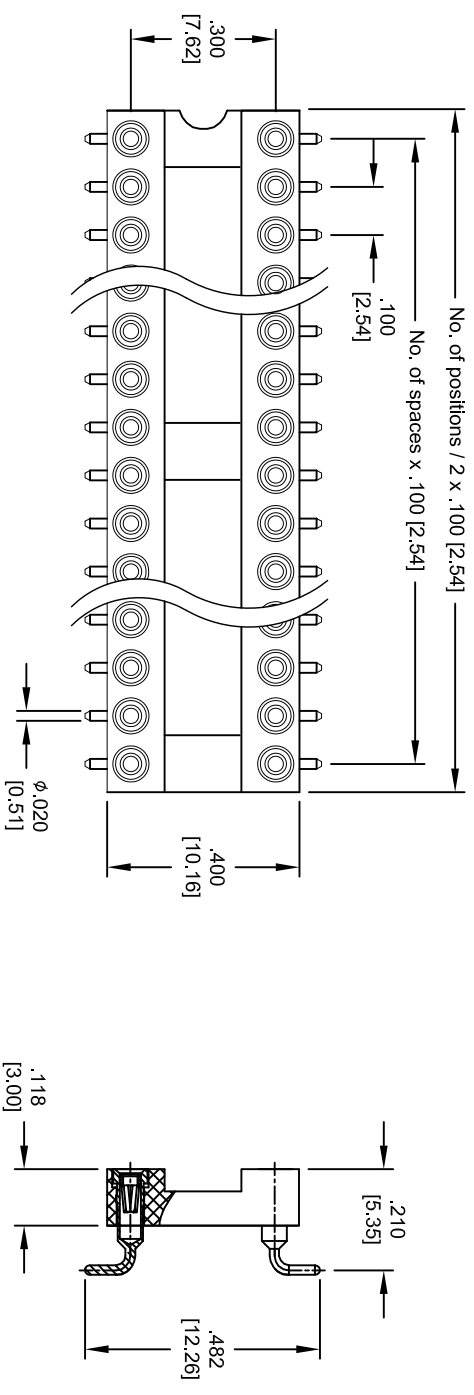


APPROVED: _____
 DATE: _____ TITLE: _____

Rev	AWO #	Description	Date	Appr
-		RELEASED	11/02/07	
A		UPDATED	6/10/08	



SPECIFICATIONS:
 Material: Insulator: PBT, Glass reinforced, rated UL 94V-0
 Insulator color: Black
 Contacts: Beryllium Copper
 Outer Pin: Brass, Nickel plated
 Plating: Gold flash over Nickel underplate on inner contact, Tin over Copper underplate on outer sleeve

Positions: 06 thru 52

Electrical:
 Operating voltage: 60 VAC max
 Current rating: 3 Amp max
 Contact resistance: 40 mohms max
 Insulation resistance: 1000 Mohms min @ 500 VDC
 Dielectric withstanding voltage: 500 VAC for 1 minute
 Temperature Rating: Operating temperature: -55°C to +125°C

Environmental:
 Lead free, RoHS compliant.
 Recommended soldering temp: 235°C for 5 sec.



ADAM TECH

909 Rahway Avenue, Union, NJ 07083
 Phone: 908-687-5000 Fax: 908-687-5710

TITLE: SCREW MACHINE IC SOCKET
 .300" ROW, SPACING, SMT

UNLESS OTHERWISE SPECIFIED ALL DIMENSIONS ARE INCHES [MM] TOLERANCES: EXCEPT AS NOTED	
INCHES	HOLES
.X ± .10	ØXX ± .10
.XX ± .020	ØXXX ± .015
.XXX ± .015	ØXXXX ± .010
APPROVALS	DATE
DRAWN SS	11/02/07
CHECKED LW	7/30/10
APPROVED	

SIZE X	PART NO. ICM-3XX-SMT-GT	REV. A
REF:	SCALE: NTS	SHEET 1 OF 1