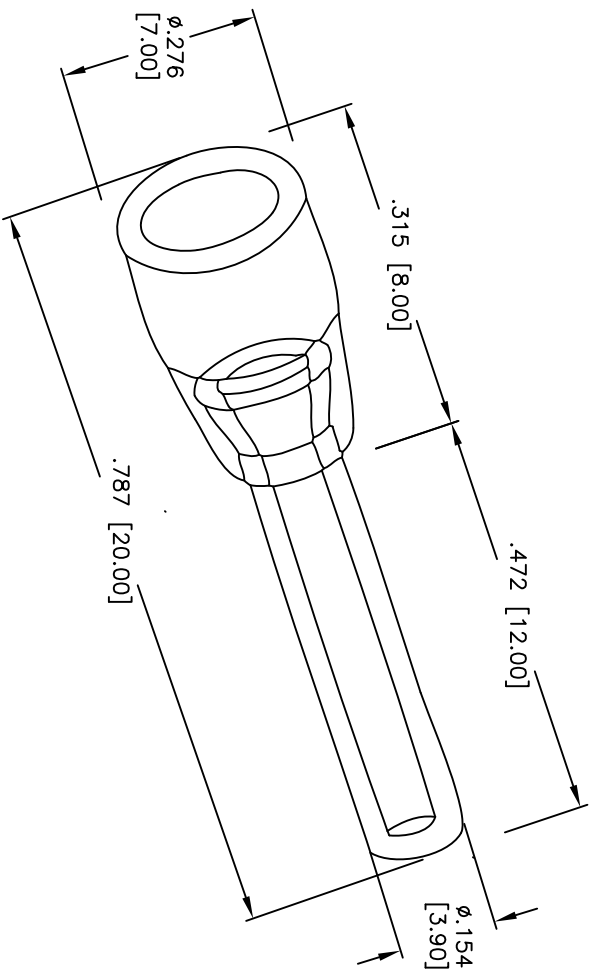


Rev	AWO #	Description	Date	Appr
-		RELEASED	11/17/10	

APPROVED: _____
 DATE: _____ TITLE: _____



ADAM TECH

909 Rahway Avenue, Union, NJ 07083
 Phone: 908-687-5000 Fax: 908-687-5710

TITLE: TERMINAL, COLOR BLACK

UNLESS OTHERWISE SPECIFIED ALL DIMENSIONS ARE INCHES [MM]		TOLERANCES: EXCEPT AS NOTED	
INCHES		HOLDS	
.X	± .10	ØXX	± .10
.XX	± .020	ØXXX	± .015
.XXX	± .015	ØXXXX	± .010
APPROVALS		DATE	
DRAWN	DY	11/17/10	
CHECKED			
APPROVED			
SIZE	PART NO.	REV.	
X	ICES-154/472-BK	-	
REF:	S0015T	SCALE:	NTS
SHEET 1		OF 1	

SPECIFICATIONS:
 Terminal: Copper Alloy, Matt Tin plated
 Insulator color: Black
 Environmental:
 Lead free, RoHS compliant.



6 5 4 3 2 1