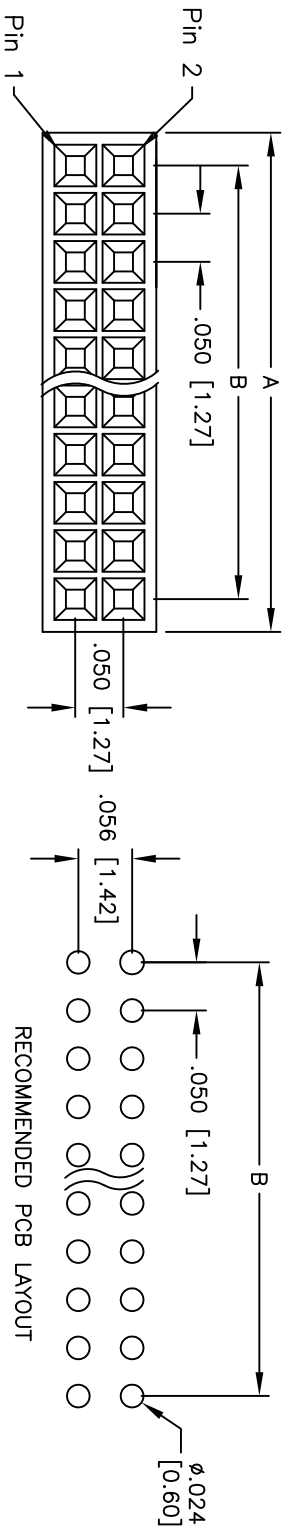
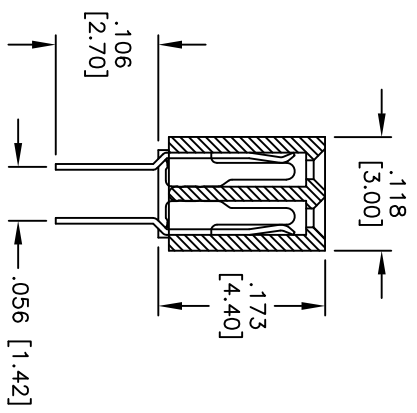
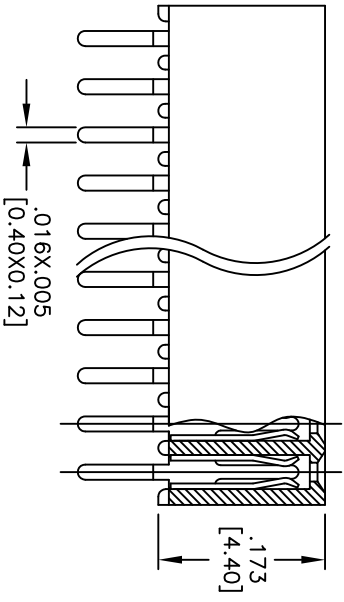


Rev	AWO #	Description	Date	Appr
-		RELEASED	8/18/10	

APPROVED: \_\_\_\_\_  
 DATE: \_\_\_\_\_ TITLE: \_\_\_\_\_



RECOMMENDED PCB LAYOUT



Positions: 04 thru 100  
 A = .050 [1.27] x No. of Positions per Row + .018 [0.46]  
 B = .050 [1.27] x No. of Spaces

**ADAM TECH**

909 Railway Avenue, Union, NJ 07083  
 Phone: 908-687-5000 Fax: 908-687-5710

TITLE: .050 x .050 DUAL ROW RECEPTACLE STRIP  
 .173 [4.40] HEIGHT, PCB TYPE

SPECIFICATIONS:  
 Material: Insulator: PBT, rated UL 94V-0  
 Insulator color: Black  
 Contacts: Phosphor Bronze  
 Plating: Tin over Copper underplate on tails.  
 Gold flash over Nickel underplate on contact area,  
 Tin over Copper underplate on tails.  
 Electrical: Current rating: 1 Amp max.  
 Contact resistance: 20 mohms max. initial  
 Insulation resistance: 5,000 Mohms min.  
 Dielectric withstanding voltage: 500 VAC for 1 minute  
 Temperature Rating: Operating temperature: -40°C to +105°C  
 Environmental: Lead free, RoHS compliant  
 Recommended soldering temp: 235°C for 5 seconds



UNLESS OTHERWISE SPECIFIED ALL DIMENSIONS ARE INCHES [MM]	
TOLERANCES: EXCEPT AS NOTED	
INCHES	HOLDS
.X ± .10	ØX ± .10
.XX ± .020	ØXX ± .015
.XXX ± .015	ØXXX ± .010
APPROVALS	DATE
DRAWN	DRY
CHECKED	8/18/10
APPROVED	

SIZE	PART NO.	REV.
X	HRS-2H-XX-SGA	
REF: S00039T	SCALE: NTS	SHEET 1 OF 1