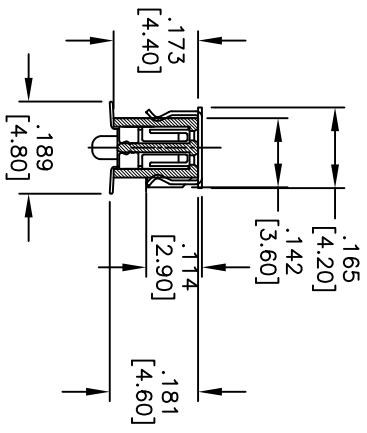
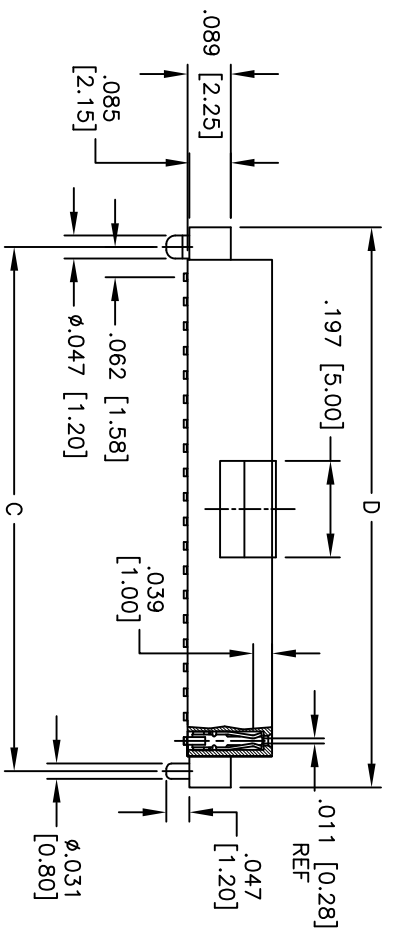
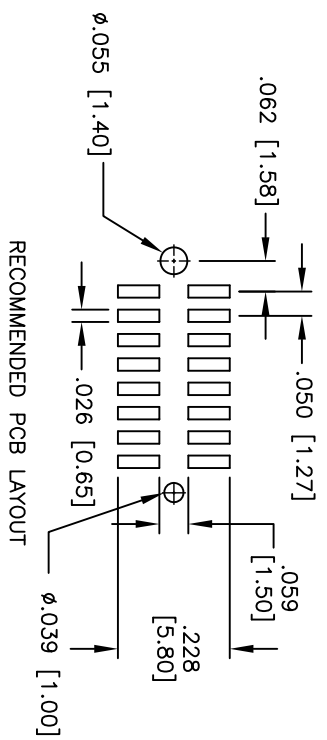
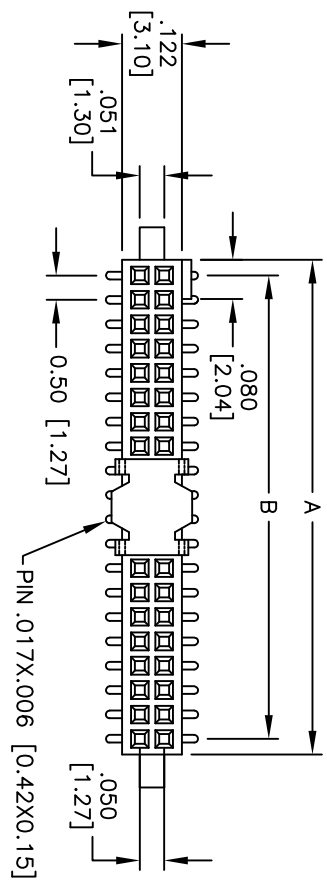


Rev	AWO #	Description	Date	Appr
-		RELEASED	5/31/11	

APPROVED: \_\_\_\_\_  
 DATE: \_\_\_\_\_ TITLE: \_\_\_\_\_



**PACKAGED ON TAPE & REEL**

Positions: 06 thru 100  
 A = .050 [1.27] x No. of Positions per Row + .014 [0.35]  
 B = .050 [1.27] x No. of Spaces  
 C = .050 [1.27] x No. of Positions per Row + .074 [1.88]  
 D = .050 [1.27] x No. of Positions per Row + .148 [3.75]

**ADAM TECH**

909 Railway Avenue, Union, NJ 07083  
 Phone: 908-687-5000 Fax: 908-687-5710

TITLE: .050 X .050 DUAL ROW RECEPTACLE STRIP  
 .173 [4.40] HEIGHT, SURFACE MOUNT

**SPECIFICATIONS:**  
 Material: Insulator: Hi-temp thermoplastic, rated UL 94V-0  
 Insulator color: Black  
 Contacts: Phosphor Bronze  
 Plating: Gold flash over Nickel underplate overall.  
 Electrical: Current rating: 1 Amp max.  
 Contact resistance: 20 mohms max. initial  
 Insulation resistance: 1,000 Mohms min.  
 Dielectric withstanding voltage: 300 VAC for 1 minute  
 Temperature Rating: Operating temperature: -40°C to +105°C  
 Environmental: Lead free, RoHS compliant  
 Recommended soldering temp: 260°C for 5 seconds



UNLESS OTHERWISE SPECIFIED ALL DIMENSIONS ARE INCHES [MM]		TOLERANCES EXCEPT AS NOTED INCHES		HOLE SIZES		DATE	
.X	± .10	ØXX	± .10	ØXX	± .10	DATE	
.XX	± .020	ØXXX	± .015	ØXXX	± .010		
.XXX	± .015	ØXXXX	± .010				
DRAWN		DY		5/31/11		TITLE	
CHECKED		X		SIZE		PART NO.	
APPROVED		X		REF: S00032T		SCALE: NTS	
						SHEET 1 OF 1	