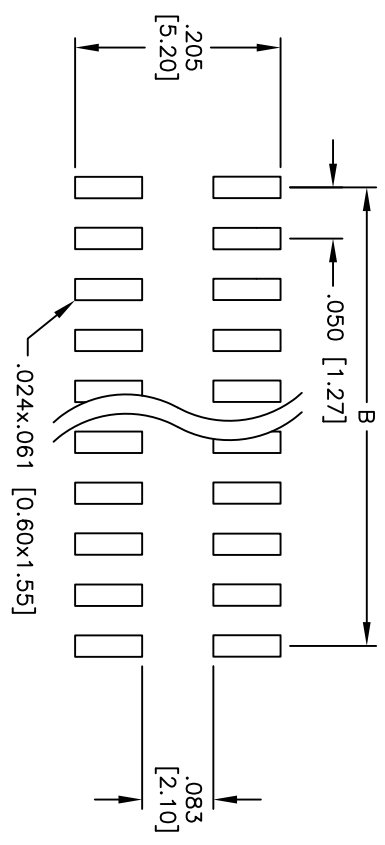
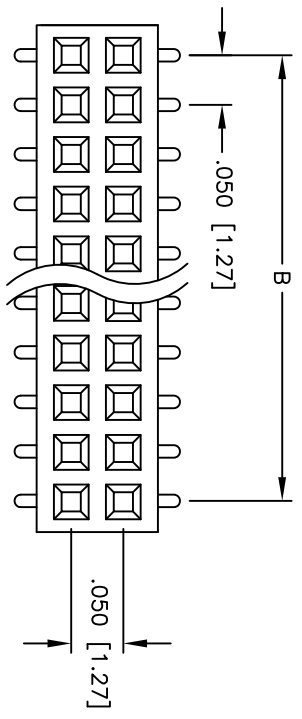
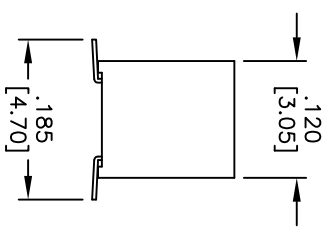
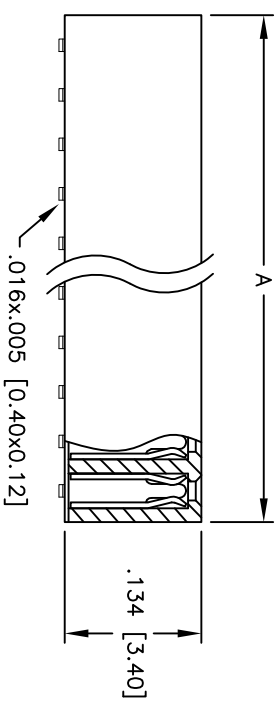


Rev	AWO #	Description	Date	Appr
-		RELEASED	5/27/05	

APPROVED: _____
 DATE: _____ TITLE: _____



RECOMMENDED
PCB LAYOUT



SPECIFICATIONS:

Material: Insulator: Nylon 46, rated UL 94V-0
 Insulator color: Black
 Contacts: Phosphor Bronze
 Plating: Gold flash over Nickel underplate on contact area, Tin over Copper underplate on SMT tails.
 Electrical: Operating voltage: 250 VAC max.
 Current rating: 1 Amp max.
 Contact resistance: 20 mohms max. initial
 Insulation resistance: 5,000 Mohms min.
 Dielectric withstanding voltage: 1,000 VAC for 1 minute
 Temperature Rating: Operating temperature: -40°C to +105°C
 Environmental: Lead free, RoHS compliant
 Recommended soldering temp: 260°C for 5 seconds

Positions: 02 thru 80
 A = .050 [1.27] x No. of Positions per Row + .018 [0.46]
 B = .050 [1.27] x No. of Spaces

ADAM TECH
 909 Rahway Avenue, Union, NJ 07083
 Phone: 908-687-5000 Fax: 908-687-5710



UNLESS OTHERWISE SPECIFIED
 ALL DIMENSIONS ARE IN INCHES [MM]
 TOLERANCES: EXCEPT AS NOTED
 INCHES: .X ± .10 ØXX ± .10
 .XX ± .020 ØXXX ± .015
 .XXX ± .015
 APPROVALS: DRAWN: SS 5/27/05
 CHECKED: APPROVED: SIZE: X PART NO.: HRS-2E-XX-SG-SMT
 REF: SCALE: NTS SHEET 1 OF 1