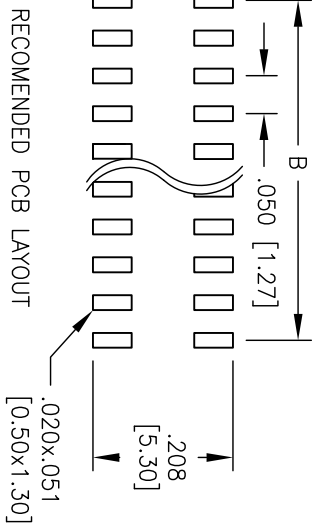
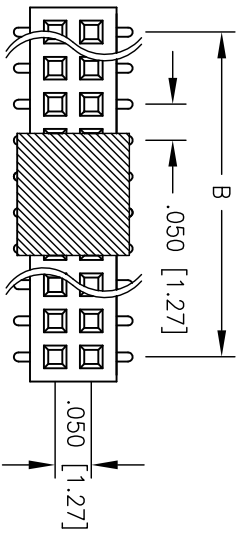
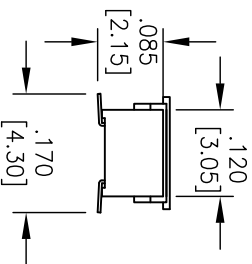
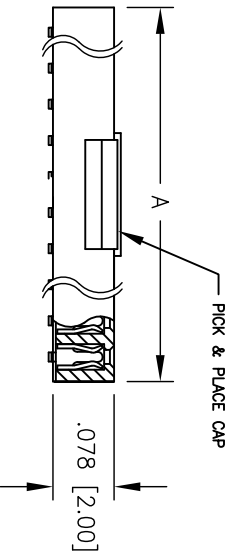


Rev	AWO #	Description	Date	Appr
-		RELEASED	1/26/11	

APPROVED: \_\_\_\_\_ TITLE: \_\_\_\_\_  
 DATE: \_\_\_\_\_



RECOMMENDED PCB LAYOUT



**PACKAGED ON TAPE & REEL**

A = .050 [1.27] X No. of Positions + .018 [0.46]  
 B = .050 [1.27] X No. of Spaces

**SPECIFICATIONS:**

Material: Nylon 46, rated UL 94V-0  
 Insulator color: Black  
 Contacts: Phosphor Bronze  
 Plating: Gold Flash over Nickel underplate on contact area, Tin over Copper underplate on SMT tails

**Electrical:**

Operating voltage: 250 VAC max  
 Current rating: 1 Amp max  
 Contact resistance: 20 mohms max  
 Insulation resistance: 5000 Mohms min @ 500 VDC  
 Dielectric withstanding voltage: 1000 VAC for 1 minute  
 Temperature Rating: Operating temperature: -40°C to +105°C

**Environmental:**

Lead free, RoHS compliant.  
 Recommended soldering temp: 260° for 5 sec.



**ADAM TECH**

909 Rahway Avenue, Union, NJ 07083  
 Phone: 908-687-5000 Fax: 908-687-5710

TITLE: .050" RECEPTACLE STRIP, DUAL ROW, SMT  
 .085" INSULATOR HEIGHT, SEL GOLD PLATED

UNLESS OTHERWISE SPECIFIED ALL DIMENSIONS ARE INCHES [MM] TOLERANCES: EXCEPT AS NOTED		INCHES		HOLES	
X	± .10	ØX	± .10		
.XX	± .020	ØXX	± .015		
.XXX	± .015	ØXXX	± .010		
APPROVALS		DATE			
DRAWN	AY	1/26/11			
CHECKED	VW	1/26/11			
APPROVED					
SIZE	PART NO.	REV.			
X	HRS-2C-XX-SG-SMT-PP-1/R	-			
REF:	S00059T	SCALE:	NTS	SHEET	1 OF 1