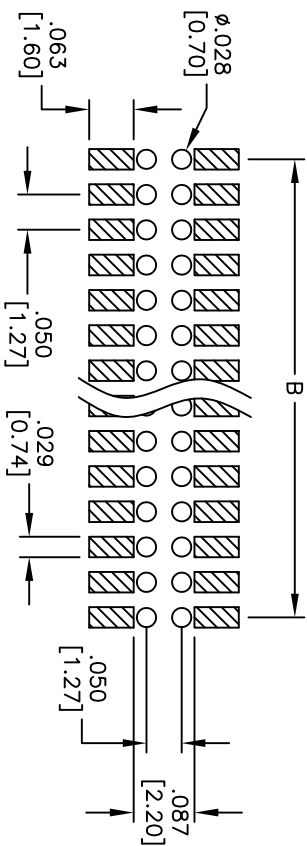
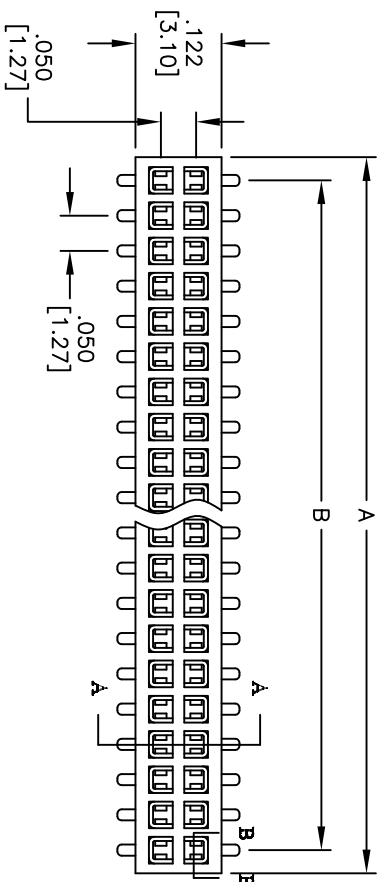
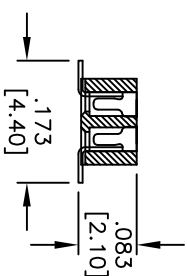
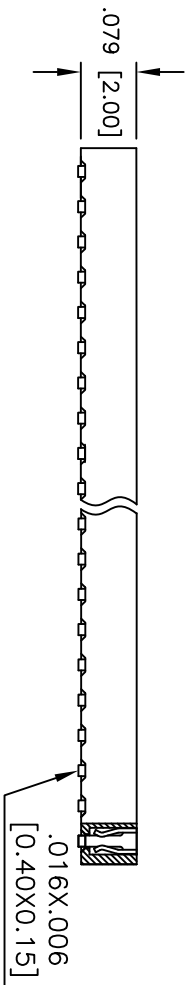


APPROVED: _____
 DATE: _____ TITLE: _____

| Rev | AWO # | Description | Date | Appr |
|-----|-------|-------------|----------|------|
| - | | RELEASED | 03/23/05 | |
| A | | REDRAWN | 12/25/08 | |



Recommended PCB Layout



SPECIFICATIONS:

Material: Insulator: Nylon 6T, glass reinforced rated UL 94V-0
 Insulator color: Black
 Contacts: Phosphor Bronze
 Plating: Gold flash over Nickel underplate overall.
 Electrical: Operating voltage: 500 VAC max.
 Current rating: 1 Amp max.
 Contact resistance: 20 mohms max. Initial
 Insulation resistance: 1,000 Mohms min.
 Temperature Rating: Operating temperature: -40°C to +105°C
 Environmental: Lead free, RoHS compliant
 Recommended soldering temp: 260°C for 5 seconds

Positions: 04 thru 50
 A = .050 [1.27] x No. of Positions per Row + .016 [0.40]
 B = .050 [1.27] x No. of Spaces

ADAM TECH

909 Rahway Avenue, Union, NJ 07083
 Phone: 908-687-5000 Fax: 908-687-5710

TITLE: .050" x .050" DUAL ROW RECEPTACLE STRIP
 .079 [2.00] HEIGHT, BOTTOM ENTRY, SMT

| | | | |
|---|----------|-------------------------------|------------|
| UNLESS OTHERWISE SPECIFIED ALL DIMENSIONS ARE INCHES [MM] TOLERANCES: EXCEPT AS NOTED INCHES Holes ±.10 X ±.10 .XX ±.020 .XXX ±.015 APPROVALS DATE | | SIZE PART NO. HRS-2C-XX-G-SMT | |
| DRAWN SS | 03/23/05 | REF: S00019C | SCALE: NTS |
| CHECKED | | REV: A | |
| APPROVED | | SHEET 1 OF 1 | |