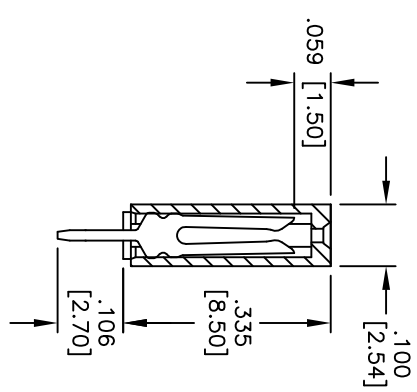
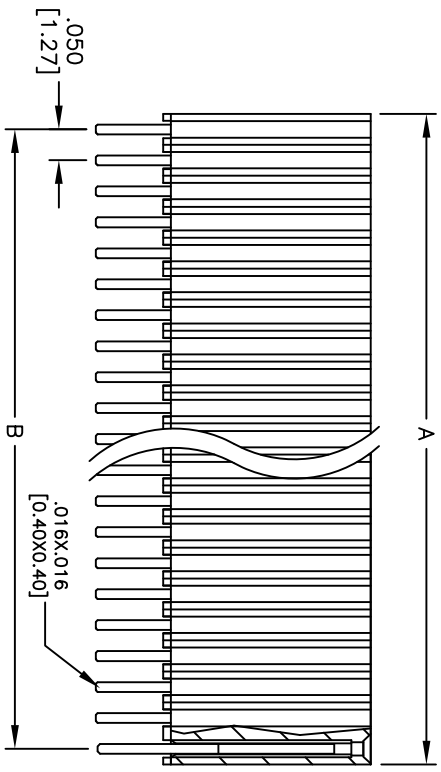
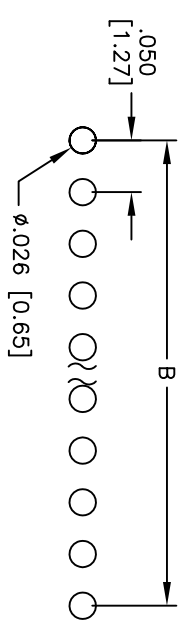


Rev	AWO #	Description	Date	Appr
-		RELEASED	11/14/08	

APPROVED: _____
 DATE: _____ TITLE: _____



RECOMMENDED PCB LAYOUT



SPECIFICATIONS:

- Material: Insulator: LCP, UL 94V-0
- Insulator color: Black
- Contacts: Phosphor Bronze
- Plating: Gold flash over Nickel underplate overall.
- Electrical: Current rating: 1 Amps max.
- Contact resistance: 20 mohms max. initial
- Insulation resistance: 1,000 Mohms min.
- Dielectric withstanding voltage: 300 VAC for 1 minute
- Temperature Rating: Operating temperature: -40°C to +105°C
- Environmental: Lead free, RoHS compliant
- Recommended soldering temp: 260°C for 5 seconds



Positions: 02 thru 35
 A = .050 [1.27] x No. of Positions
 B = .050 [1.27] x No. of Spaces

ADAM TECH

909 Railway Avenue, Union, NJ 07083
 Phone: 908-687-5000 Fax: 908-687-5710

TITLE: .050 [1.27] SINGLE ROW RECEPTACLE STRIP
 .335 [8.50] HEIGHT, GOLD PLATED

UNLESS OTHERWISE SPECIFIED ALL DIMENSIONS ARE IN INCHES [MM]		TOLERANCES: EXCEPT AS NOTED	
INCHES		HOLDS	
.X	± .10	ØXX	± .10
.XX	± .020	ØXXX	± .015
.XXX	± .015	ØXXX	± .010
APPROVALS		DATE	
DRAWN	DY	11/14/08	
CHECKED			
APPROVED			
SIZE	PART NO.	REV.	
X	HRS-1A-XX-GA-HT		
REF:	S00032T	SCALE:	NTS
SHEET 1 OF 1			