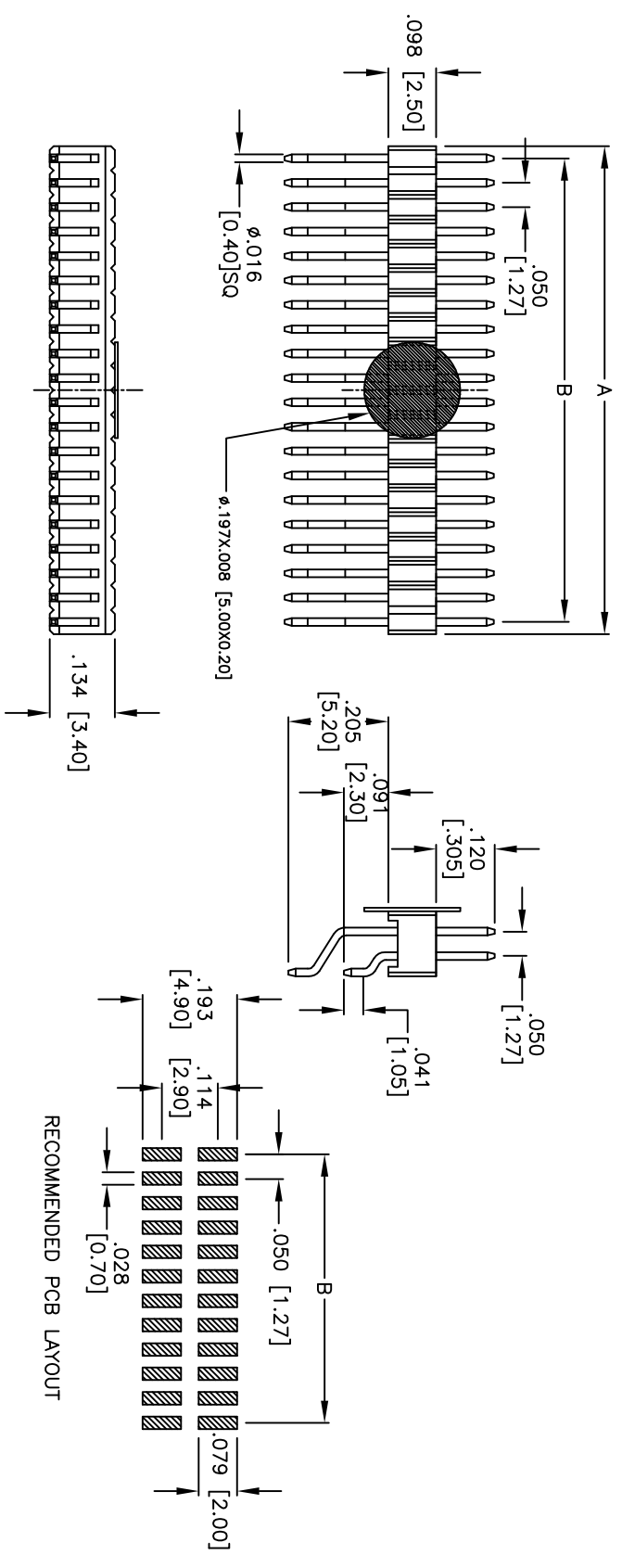


Rev	AWO #	Description	Date	Appr
-	9681	RELEASED	7/27/10	

APPROVED: \_\_\_\_\_  
 DATE: \_\_\_\_\_ TITLE: \_\_\_\_\_



A =  $.050 [1.27]$  x No. of Positions per row  
 B =  $.050 [1.27]$  x No. of Contacts -  $.050 [1.27]$

**SPECIFICATIONS:**

**Material:** Insulator: Hi-temp thermoplastic, rated UL 94V-0

Insulator color: Black  
 Contacts: Brass

**Plating:** Gold flash over Nickel underplate on contact area, Tin over copper underplate on tails.

**Electrical:** Current rating: 1 Amps

Contact resistance: 20 mohms max @ DC 100mA

Insulation resistance: 5000 Mohms min @ DC 500V

Dielectric withstanding voltage: 300 VAC for 1 minute

**Temperature Rating:** Operating temperature: -40°C to +105°C

**Environmental:** Lead free, RoHS compliant.  
 Recommended soldering temp: 260°C for 5 sec.



UNLESS OTHERWISE SPECIFIED ALL DIMENSIONS ARE INCHES [MM]	
TOLERANCES: EXCEPT AS NOTED	
INCHES	HOLDS
X ± .10	ØX ± .10
.XX ± .020	ØXX ± .015
.XXX ± .015	ØXXX ± .010
APPROVALS	DATE
DRAWN AY	7/27/10
CHECKED AH	7/27/10
APPROVED	

**ADAM TECH**  
 909 Railway Avenue, Union, NJ 07083  
 Phone: 908-687-5000 Fax: 908-687-5710

TITLE: **.050 [1.27] DUAL ROW PIN HEADER, 40PIN**  
 SMT TYPE, SEL GOLD PLATED

SIZE	PART NO.	SCALE	SHEET 1 OF 1
X	HPH2RA-XX-SG-SMT-.120-PP	NTS	
REV.			