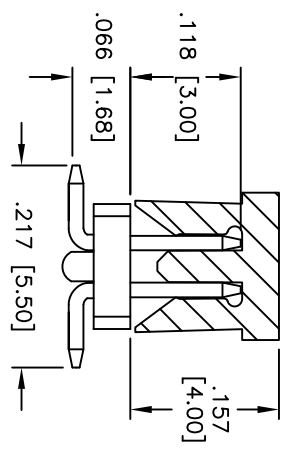
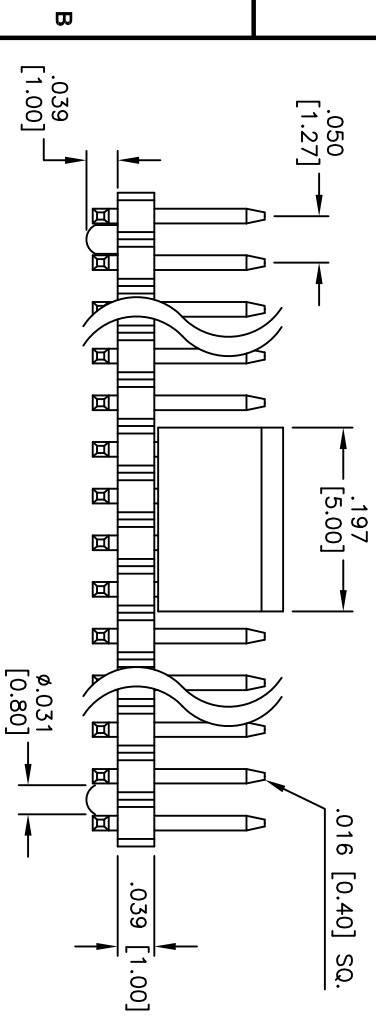
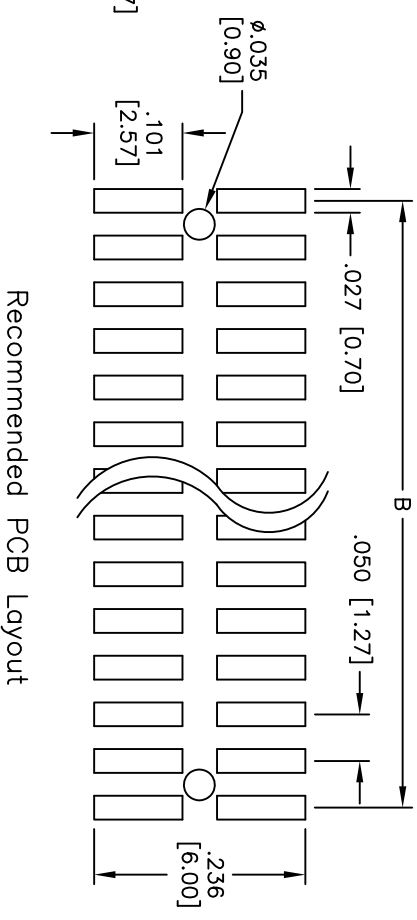
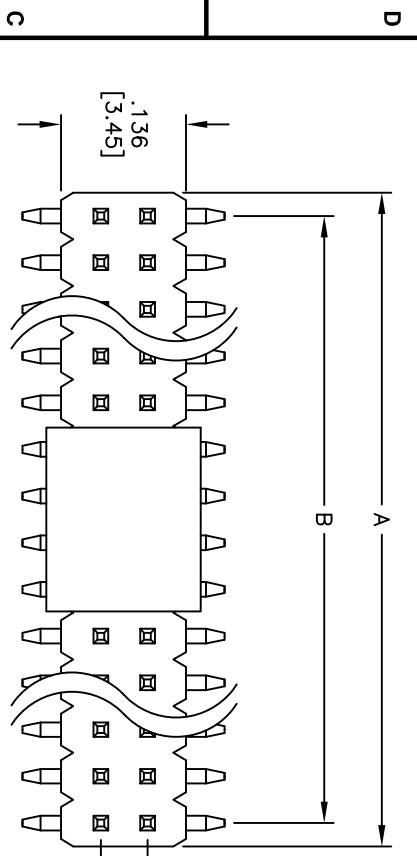


Rev	AWO #	Description	Date	Appr
-		RELEASED	12/17/09	

APPROVED: _____
 DATE: _____ TITLE: _____



SPECIFICATIONS:

Material: Nylon 6T, glass reinforced, rated UL 94V-0
 Insulator color: Black
 Contacts: Brass
 Plating: Gold flash over Nickel underplate overall.
 Electrical: Operating voltage: 250 VAC max
 Current rating: 3 Amps max
 Contact resistance: 20 mohms max @ 500 VDC
 Insulation resistance: 5,000 Mohms min @ 500 VDC
 Dielectric withstanding voltage: 1,000 VAC for 1 minute
 Temperature Rating: Operating temperature: -55°C to +105°C
 Environmental: Lead free, RoHS compliant
 Recommended soldering temp: 260°C for 5 seconds

Positions: 8 thru 100
 A = .050 [1.27] x No. of Positions per Row
 B = .050 [1.27] x No. of Spaces

ADAM TECH

909 Railway Avenue, Union, NJ 07083
 Phone: 908-687-5000 Fax: 908-687-5710

TITLE: .050 [1.27] DUAL ROW PIN HEADER, SMT, PICK & PLACE CAPE, GOLD PLATED

UNLESS OTHERWISE SPECIFIED ALL DIMENSIONS ARE IN INCHES [MM] TOLERANCES: EXCEPT AS NOTED INCHES Holes: .X ± .10 ØXX ± .015 .XX ± .020 ØXXX ± .010 .XXX ± .015 APPROVALS: DRAWN: DY DATE: 12/17/09 CHECKED: APPROVED: SIZE: X PART NO.: HPH2-A-XX-UA-SMT-P-PP REV: SCALE: NTS SHEET 1 OF 2

