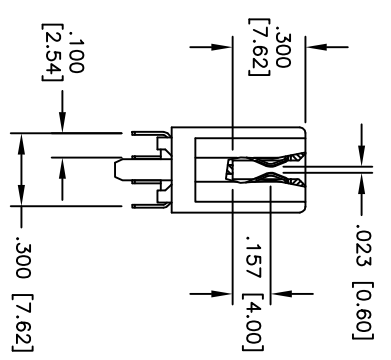
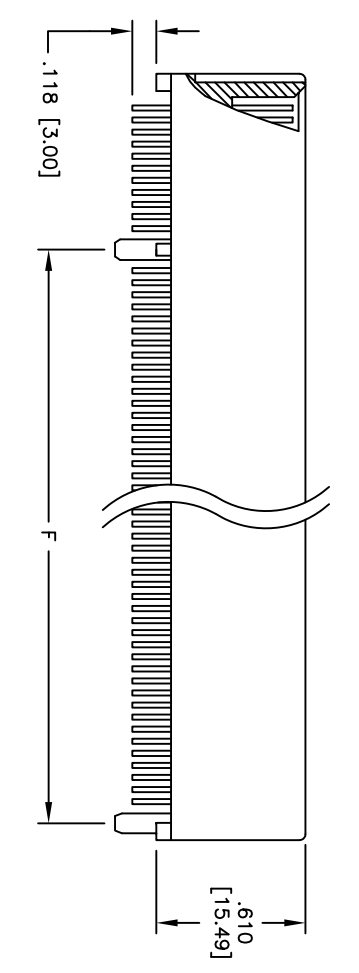
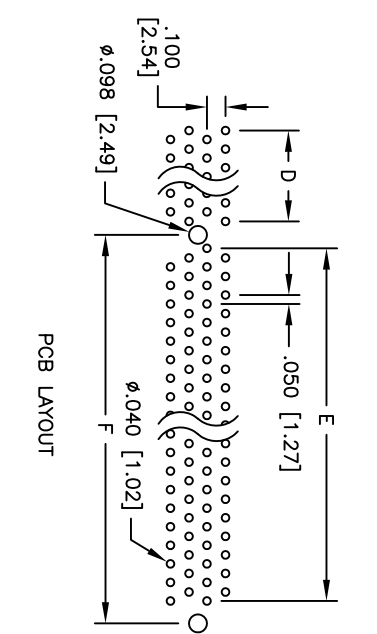
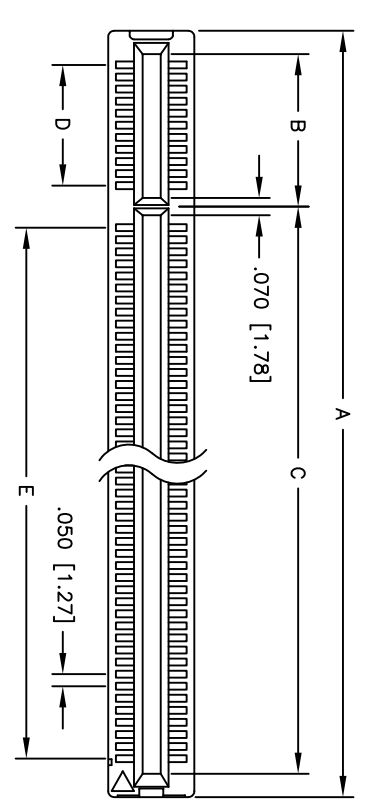


APPROVED: _____
 DATE: _____ TITLE: _____

Rev	AWO #	Description	Date	Appr
-		RELEASED	3/24/05	
A		REVISED DIM.	11/11/10	



PART NO.	A	B	C	D	E	F
HMCA-A-112-G	3.140 [79.76]	0.625 [15.88]	2.325 [59.06]	0.500 [12.70]	2.200 [55.88]	2.232 [56.69]
HMCA-A-120-G	3.340 [84.84]	0.625 [15.88]	2.525 [64.14]	0.500 [12.70]	2.400 [60.96]	2.550 [64.77]

SPECIFICATIONS:
 Material: Insulator: PBT, glass reinforced, rated UL 94V-0
 Contacts: Copper Alloy
 Plating: 30u" Gold over Nickel underplate on contact area, Tin over Copper underplate on PCB tails
 Electrical: Operating voltage: 125 VAC max.
 Current rating: 1 Amp max.
 Contact resistance: 30 mohms max initial
 Capacitance: 2 pF max
 Insulation resistance: 1,000 Mohms min
 Dielectric withstanding voltage: 500 VAC for 1 minute
 Temperature Rating: Operating temperature: -55°C to +105°C

Mechanical:
 Contact normal force: 75 Grams
 Insertion force: 196 Grams max
 Withdrawal force: 28 Grams min
 Contact retention: 1 Lb min.
 Durability: 100 cycles min.

Environmental:
 Lead free, RoHS compliant
 Recommended soldering temp: 235°C for 5 seconds



ADAM TECH
 909 Rahway Avenue, Union, NJ 07083
 Phone: 908-687-5000 Fax: 908-687-5710

UNLESS OTHERWISE SPECIFIED ALL DIMENSIONS ARE INCHES [MM] TOLERANCES: EXCEPT AS NOTED		DRAWN		DATE		TITLE	
INCHES: ±.10 ±.020 XXX ±.015 XXX ±.010		SS		3/24/05		VES A MICRO CHANNEL CARD EDGE PLASTIC PEGS, 30U" SELECTIVE GOLD	
APPROVALS		CHECKED		DATE		REV.	
APPROVED		APPROVED		DATE		REV.	
SIZE		PART NO.		SCALE		SHEET 1 OF 1	
X		HMCA-A-XXX-G-30		N/A		1	