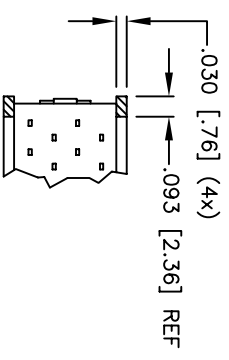
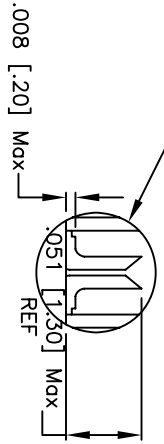
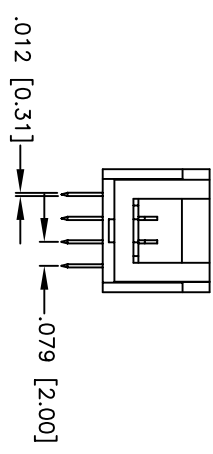
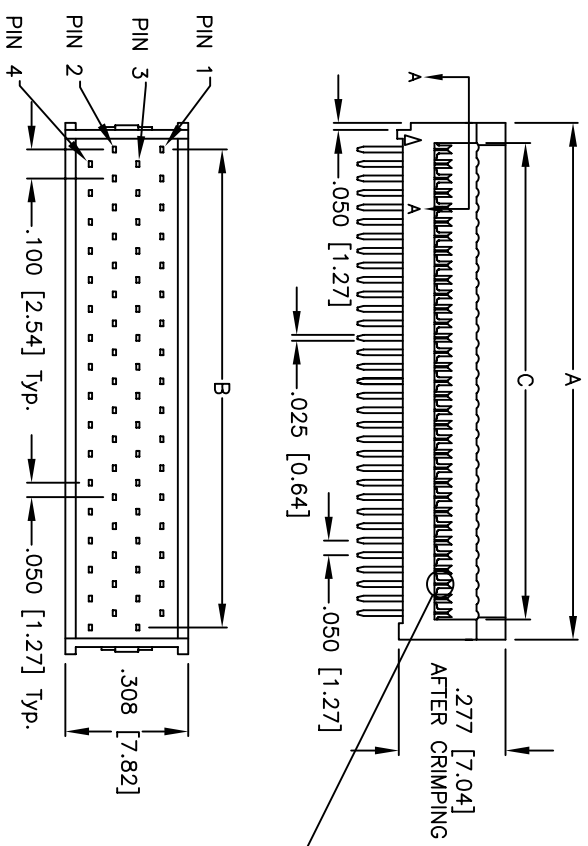


APPROVED: \_\_\_\_\_

DATE: \_\_\_\_\_ TITLE: \_\_\_\_\_

Rev	AWO #	Description	Date	Appr
-		RELEASED	3/30/04	

POSITIONS	A		B		C	
	in	mm	in	mm	in	mm
10	0.438	11.13	0.200	5.08	0.266	6.76
20	0.688	17.48	0.450	11.43	0.516	13.11
30	0.938	23.83	0.700	17.78	0.766	19.46
40	1.188	30.18	0.950	24.13	1.016	25.81
50	1.438	36.53	1.200	30.48	1.266	32.16
60	1.688	42.88	1.450	36.83	1.516	38.51
68	1.888	47.96	1.650	41.91	1.716	43.59
70	1.938	49.23	1.700	43.18	1.766	44.86
72	1.988	50.50	1.750	44.45	1.816	46.13
80	2.188	55.58	1.950	49.53	2.016	51.21
90	2.438	61.93	2.200	55.88	2.266	57.56
100	2.688	68.28	2.450	62.23	2.516	63.91



**SPECIFICATIONS:**

*Material:*

Insulator: PCT (or NYLON 46), glass fiber reinforced rated  
UL94V-0, Black

Contacts: Copper Alloy

Plating: 100 µin tin-lead over 50 µin nickel underplate or Selective Gold

Electrical: Operation voltage: 250 VAC max

Current rating: 1 A max

Contact resistance: 30 mohm max @ 6 VDC 0.3A

Insulation resistance: 1000 Mohm min @ 500 VDC

Dielectric withstanding voltage: 500 VAC min for 60 sec.

Environmental: Operating temperature: -40°C to +105°C

Lead free, RoHS Compliant  
Recommended soldering temp: 235°C for 5 seconds



**ADAM TECH**

909 Rahway Avenue, Union, NJ 07083  
Phone: 908-687-5000 Fax: 908-687-5710

**0.050" Center Flat Cable Plug**

UNLESS OTHERWISE SPECIFIED ALL DIMENSIONS ARE MM [INCHES] TOLERANCES: EXCEPT AS NOTED INCHES	
.X ± .10	ØX ± .10
.XX ± .020	ØXX ± .015
.XXX ± .015	ØXXX ± .010
APPROVALS	
DRAWN	SLS
CHECKED	
APPROVED	

SIZE	PART NO.	REV.
X	HFDP-XX-X	
REF:	SCALE: NTS	SHEET 1 OF 1