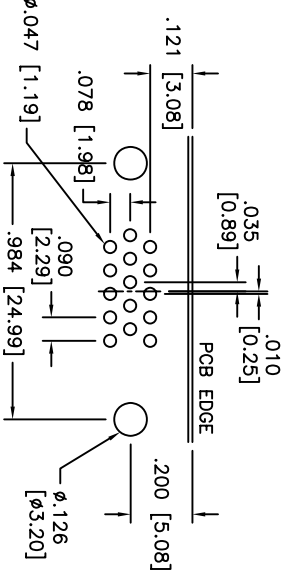
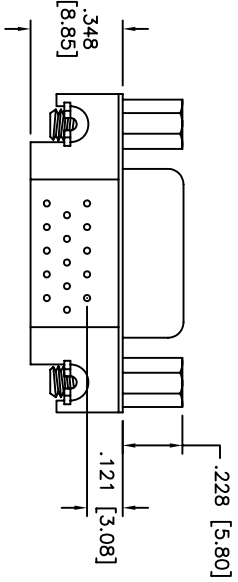
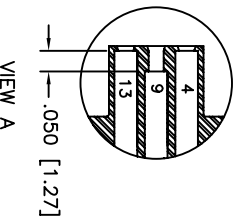
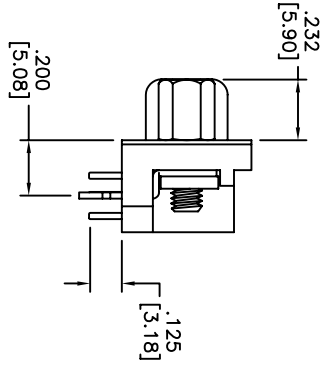
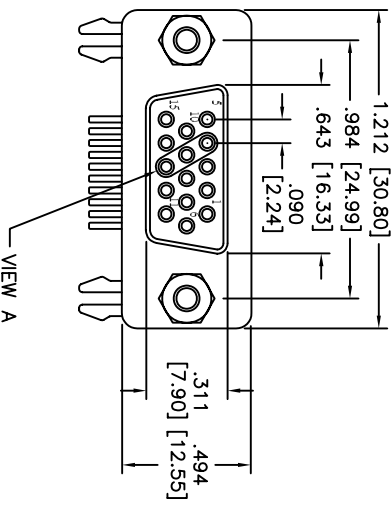


Rev	AWO #	Description	Date	Appr
-		RELEASED	03/07/05	

APPROVED: _____
 DATE: _____ TITLE: _____



RECOMMENDED
PCB LAYOUT

SPECIFICATIONS:

Material:
 Insulator: PBT, 30% glass reinforced, rated UL 94V-0
 Insulator color: Blue 661C
 Contacts: Phosphor Bronze
 Shell: Steel, Nickel plated
 Hardware: Brass, Nickel Plated
Plating:
 Gold Flash over Nickel underplate on contact area, Tin over Copper underplate on solder tails
Electrical:
 Operating voltage: 250 V AC/DC max
 Current rating: 5 Amps max
 Contact resistance: 20 mohms max. initial
 Insulation resistance: 5000 Mohms min @ 500 VDC
 Dielectric withstanding voltage: 1000 VAC for 1 minute
Packaging:
 Anti-ESD plastic trays
 Temperature Rating:
 Operating temperature: -55°C to +105°C
Environmental:
 Lead free, RoHS compliant.
 Recommended soldering temp: 235 for 5 sec.

ADAM TECH

909 Railway Avenue, Union, NJ 07083
 Phone: 908-687-5000 Fax: 908-687-5710

**D-SUB, HD RIGHT ANGLE FEMALE,
 VESA TYPE, SLIMLINE, PCB MOUNT**

**UNLESS OTHERWISE SPECIFIED
 ALL DIMENSIONS ARE INCHES [MM]
 TOLERANCES: EXCEPT AS NOTED
 INCHES HOLEES**

.X	± .10	ØXX	± .10
.XX	± .020	ØXXX	± .015
.XXX	± .015	ØXXXX	± .010

APPROVALS: _____ DATE: _____

DRAWN	SS	03/07/05
CHECKED		
APPROVED		

SIZE	PART NO.	REV.
X	HDVG-15-SL-C-SL	-
REF:	SCALE: NTS	SHEET 1 OF 1