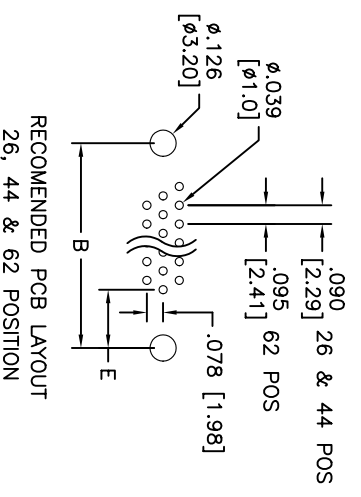
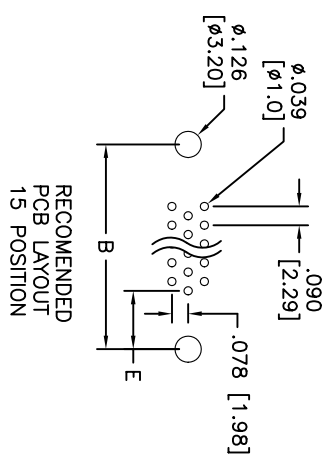
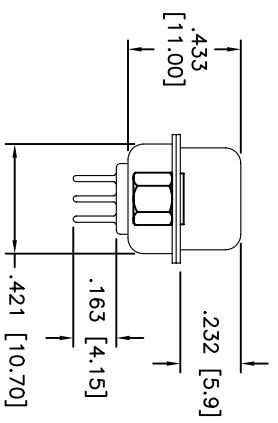
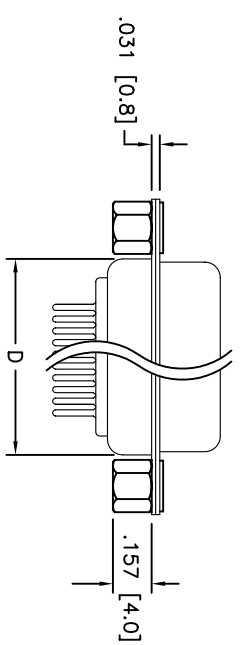
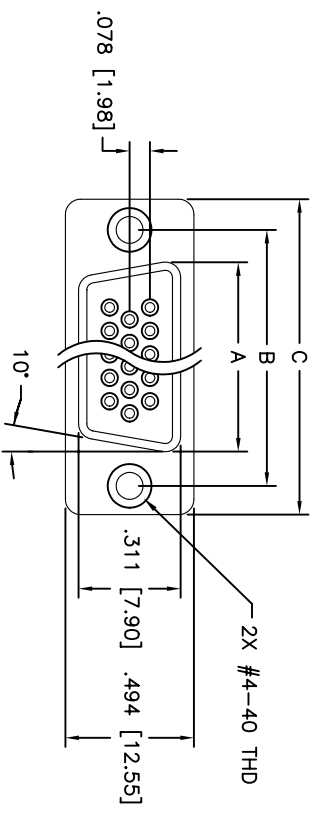


APPROVED: _____
 DATE: _____ TITLE: _____

| Rev | AWO # | Description | Date | Appr |
|-----|-------|-------------|----------|------|
| - | | RELEASED | 11/15/04 | |



Socket Dimensions

| POSITIONS | Socket Dimensions | | | | |
|-----------|-------------------|---------------|---------------|---------------|-------------|
| | A | B | C | D | E |
| 15 | .643 (16.33) | .984 (24.99) | 1.213 (30.81) | .759 (19.28) | .277 (7.04) |
| 26 | .971 (24.66) | 1.312 (33.32) | 1.541 (39.14) | 1.083 (27.51) | .271 (6.88) |
| 44 | 1.511 (38.38) | 1.852 (47.04) | 2.008 (51.04) | 1.626 (41.30) | .271 (6.88) |
| 62 | 2.159 (54.84) | 2.500 (63.50) | 2.729 (69.32) | 2.272 (57.71) | .275 (7.00) |

Unit: Inch / mm

SPECIFICATIONS:

- Material: Insulator: PBT, glass reinforced, rated UL 94V-0
- Insulator color: Black
- Contacts: Phosphor Bronze
- Plating: Gold Flash over Nickel underplate overall
- Electrical: Operating voltage: 250 VAC max
- Current rating: 5 Amps max
- Insulation resistance: 5000 Mohms min @ 500 VDC
- Dielectric withstanding voltage: 1000 VAC for 1 minute
- Temperature Rating: Operating temperature: -65°C to +125°C

ADAM TECH

909 Rahway Avenue, Union, NJ 07083
 Phone: 908-687-5000 Fax: 908-687-5710

D-SUB, HIGH DENSITY, STRAIGHT
 FEMALE PCB

UNLESS OTHERWISE SPECIFIED
 ALL DIMENSIONS ARE INCHES [MM]
 TOLERANCES: EXCEPT AS NOTED
 INCHES: .X ± .10 Ø.X ± .015
 .XX ± .020 Ø.XXX ± .010
 .XXX ± .015

| | | | |
|----------|----|------|----------|
| DRAWN | SS | DATE | 11/15/04 |
| CHECKED | | | |
| APPROVED | | | |

| | | |
|------|-------------|--------------|
| SIZE | PART NO. | REV. |
| X | HDTXX-ST-SL | |
| REF: | SCALE: NTS | SHEET 1 OF 1 |