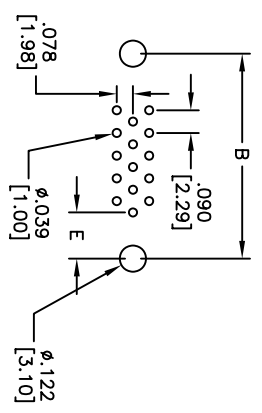
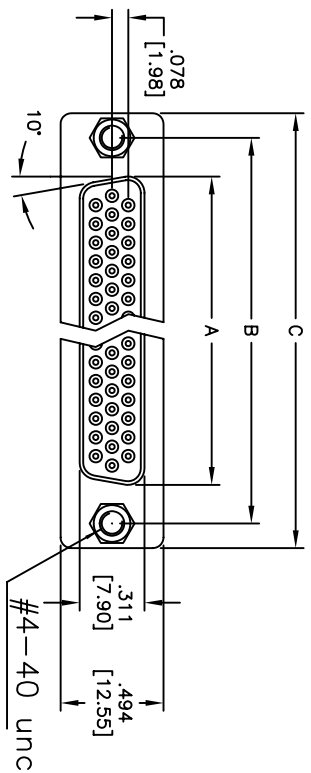
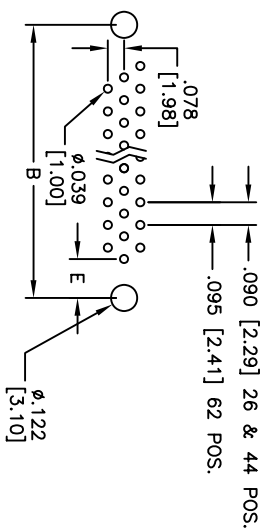
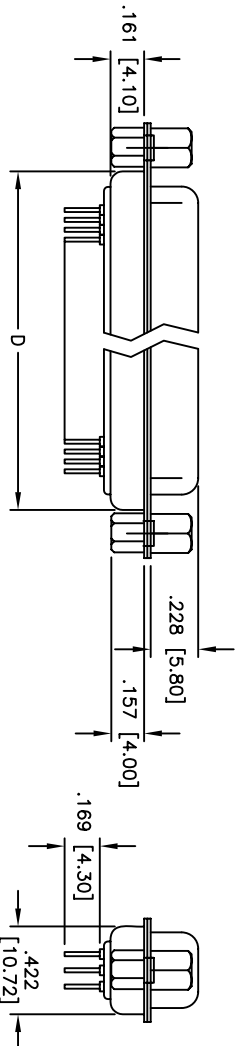


Rev	AWO #	Description	Date	Appr
-		RELEASED	12/10/08	

APPROVED: _____
 DATE: _____ TITLE: _____



PCB LAYOUT FOR 15 POSITION



PCB LAYOUT FOR 26, 44, 62 POSITION

Positions	DIMENSIONS				
	A	B	C	D	E
15	.643 [16.33]	.984 [24.99]	1.213 [30.81]	.756 [19.20]	.277 [7.04]
26	.971 [24.66]	1.312 [33.32]	1.541 [39.14]	1.091 [27.70]	.271 [6.88]
44	1.511 [38.38]	1.852 [47.04]	2.088 [53.04]	1.618 [41.10]	.271 [6.88]
62	2.159 [54.84]	2.500 [63.50]	2.729 [69.32]	2.256 [57.30]	.276 [7.00]

Unit: Inch / mm

SPECIFICATIONS:

- Material: PBT, glass reinforced, rated UL 94V-0
- Insulator color: Black
- Contacts: Copper Alloy
- Shell: Steel, Tin plated
- Clinch Nut: Brass, Nickel plated.
- Screwlock: Copper Alloy, Nickel plated.
- Plating: Gold flash over Nickel underplate on mating area, Tin over Copper underplate on tails.
- Electrical:
 - Operating voltage: 250 VAC max
 - Current rating: 3 Amps max
 - Contact resistance: 20 mohms max
 - Insulation resistance: 1,000 Mohms @ 500 VDC
 - Dielectric withstanding voltage: 1,000 VAC for 1 minute
 - Temperature Rating: Operating temperature: -65°C to +125°C
- Environmental: Lead free, RoHS compliant
- Recommended soldering temp: 235°C for 5 seconds



ADAM TECH

909 Railway Avenue, Union, NJ 07083
 Phone: 908-687-5000 Fax: 908-687-5710

TITLE: HIGH DENSITY D-SUB SOCKET, PCB TAILS
 RIVETED #4-40 CLINCH NUTS & JACKSCREWS

UNLESS OTHERWISE SPECIFIED ALL DIMENSIONS ARE INCHES [MM]		TOLERANCES: EXCEPT AS NOTED	
.X	± .10	ØXX	± .10
.XX	± .020	ØXXX	± .015
.XXX	± .015	ØXXXX	± .010
APPROVALS		DATE	
DRAWN	DY	12/10/08	
CHECKED			
APPROVED			
SIZE	PART NO.	SCALE	SHEET 1 OF 1
X	HDTXX-ST-SL-JS	NTS	
REV.			