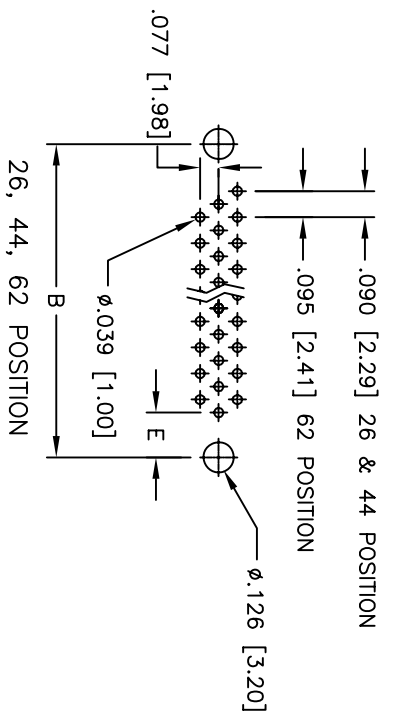
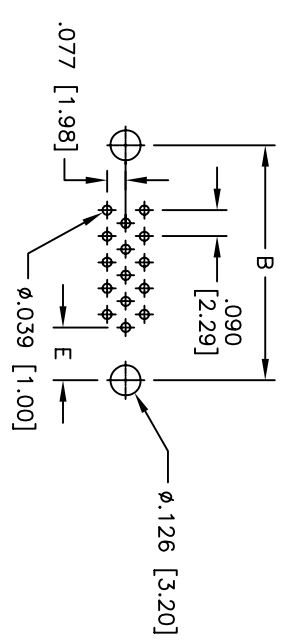


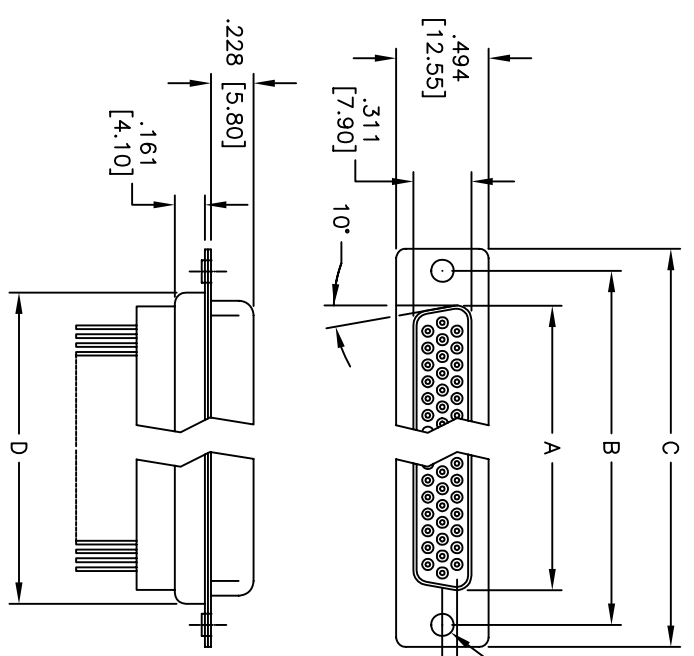
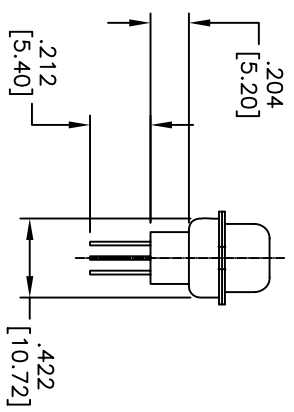
Rev	AWO #	Description	Date	Appr
-	-	RELEASED	12/07/06	

P.C.B. LAYOUT PATTERN
15 POSITION



Unit: Inch / mm

Positions	SOCKET		DIMENSIONS				
	A	B	C	D	E		
15	.643 [16.33]	.984 [24.99]	1.213 [30.81]	.759 [19.28]	.277 [7.04]		
26	.971 [24.66]	1.312 [33.32]	1.541 [39.14]	1.083 [27.51]	.270 [6.88]		
44	1.511 [38.38]	1.852 [47.04]	2.088 [53.04]	1.626 [41.30]	.270 [6.88]		
62	2.159 [54.84]	2.500 [63.50]	2.729 [69.32]	2.271 [57.70]	.275 [7.00]		



APPROVED: _____
DATE: _____ TITLE: _____

SPECIFICATIONS:

Material:
Insulator: PBT, glass reinforced, rated UL 94V-0
Insulator color: Black
Contacts: Phosphor Bronze
Shell: Steel, Tin plated
Plating:
Gold flash on Contacts, Tin on tails over nickel underplate.

Electrical:
Operating voltage: 250 VAC max
Current rating: 5 Amps max
Contact resistance: 20 mohms max
Insulation resistance: 1,000 Mohms min
Dielectric withstanding voltage: 1,000 VAC for 1 minute
Temperature Rating:
Operating temperature: -65°C to +125°C

Environmental:
Lead free, RoHS compliant
Recommended soldering temp: 235°C for 5 seconds



ADAM TECH

909 Rahway Avenue, Union, NJ 07083
Phone: 908-687-5000 Fax: 908-687-5710

HIGH DENSITY D-SUB SOCKET
HIGH PROFILE, .212 PCB TAILS,

UNLESS OTHERWISE SPECIFIED ALL DIMENSIONS ARE INCHES [MM]		TOLERANCES: EXCEPT AS NOTED	
.X	± .10	ØX	± .10
.XX	± .020	ØXX	± .015
.XXX	± .015	ØXXX	± .010
APPROVALS	DATE	TITLE	
DRAWN	BW	12/07/06	HIGH DENSITY D-SUB SOCKET
CHECKED			HIGH PROFILE, .212 PCB TAILS,
APPROVED			
SIZE	PART NO.	SCALE	SHEET 1 OF 1
X	HDTXX-SE-1	NTS	