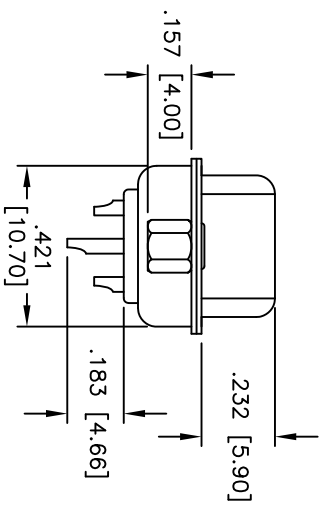
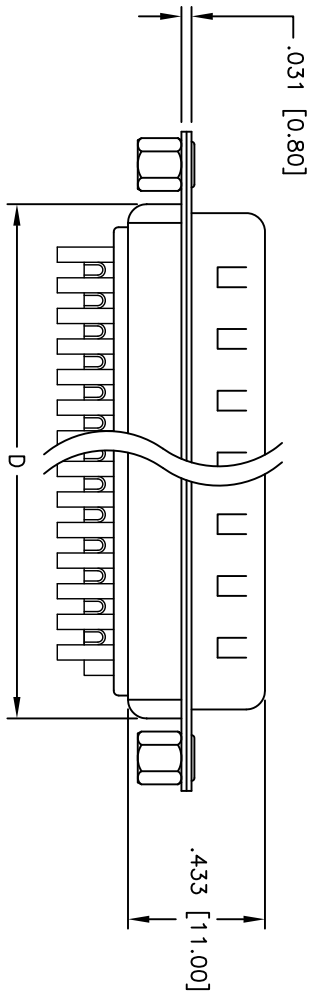
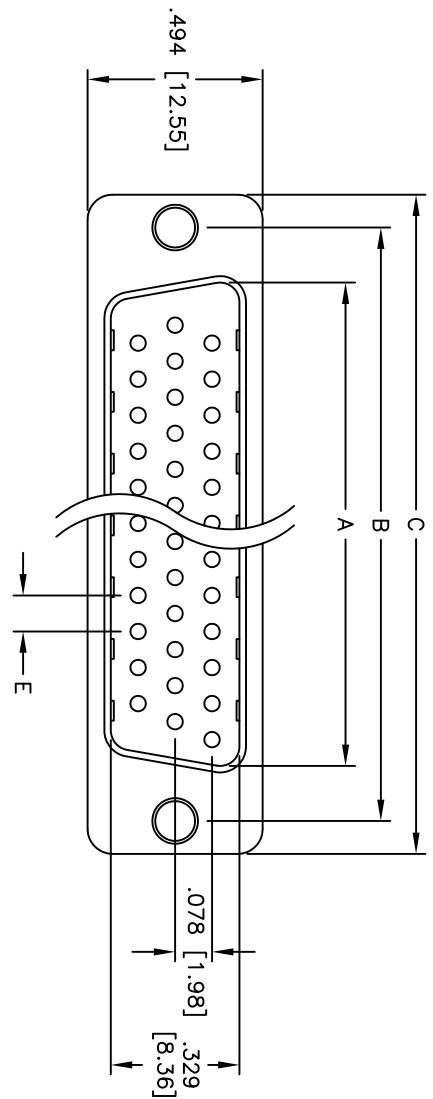


Rev	AWO #	Description	Date	Appr
-		RELEASED	5/4/05	

APPROVED: \_\_\_\_\_  
 DATE: \_\_\_\_\_ TITLE: \_\_\_\_\_



**SPECIFICATIONS:**

Material: Insulator: PBT, glass reinforced, rated UL 94V-0  
 Insulator color: Black  
 Contacts: Phosphor Bronze  
 Shell: Steel, Tin plated  
 Hardware: Brass, Nickel plated  
 Plating: Gold flash over Nickel underplate overall  
 Electrical: Operating voltage: 250 VAC max  
 Current rating: 5 Amps max  
 Contact resistance: 20 mohms max  
 Insulation resistance: 5,000 Mohms min  
 Dielectric withstanding voltage: 1,000 VAC for 1 minute  
 Temperature Rating: Operating temperature: -65°C to +125°C  
 Environmental: Lead free, RoHS compliant  
 Recommended soldering temp: 235°C for 5 seconds

HDTXX	DIMENSIONS				
	A	B	C	D	E
15	.666 [16.92]	.984 [25.00]	1.213 [30.80]	.756 [19.20]	.090 [2.29]
26	.994 [25.25]	1.312 [33.32]	1.541 [39.14]	1.091 [27.70]	.090 [2.29]
44	1.534 [38.96]	1.852 [47.04]	2.088 [53.04]	1.618 [41.10]	.090 [2.29]
62	2.182 [55.42]	2.500 [63.50]	2.729 [69.32]	2.256 [57.30]	.095 [2.41]

UNLESS OTHERWISE SPECIFIED  
 ALL DIMENSIONS ARE INCHES [MM]  
 TOLERANCES: EXCEPT AS NOTED  
 INCHES Holes ±.10  
 .X ±.10 Ø.X  
 .XX ±.020 Ø.XX  
 .XXX ±.015 Ø.XXX  
 APPROVALS DATE

**ADAM TECH**  
 909 Railway Avenue, Union, NJ 07083  
 Phone: 908-687-5000 Fax: 908-687-5710  
 HIGH DENSITY D-SUB PLUG, SOLDER CUP  
 RIVETED #4-40 CLINCH NUTS

DRAWN	SS	5/4/05	SIZE	PART NO.	HDTXX-PD-SL	REV.
CHECKED			X			
APPROVED			REF:	SCALE:	NTS	SHEET 1 OF 1

