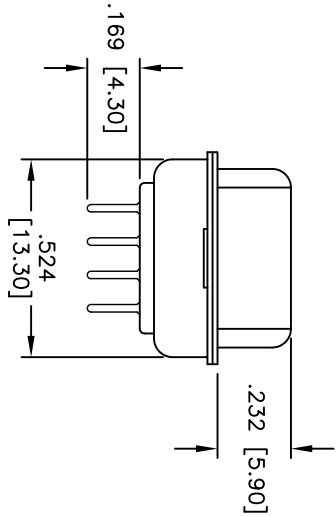
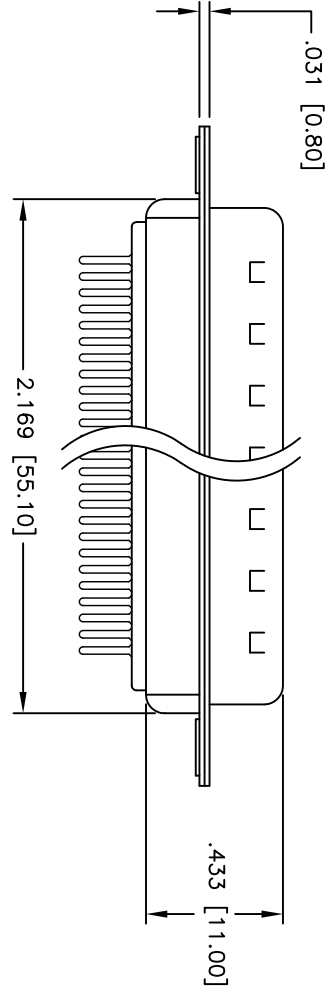
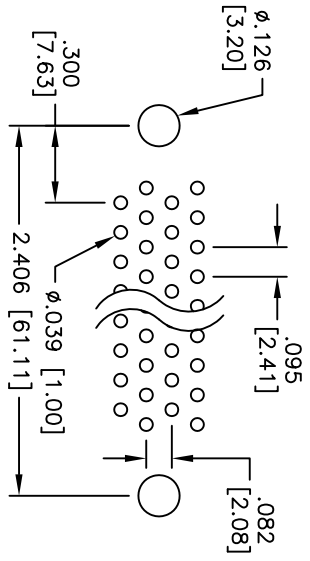
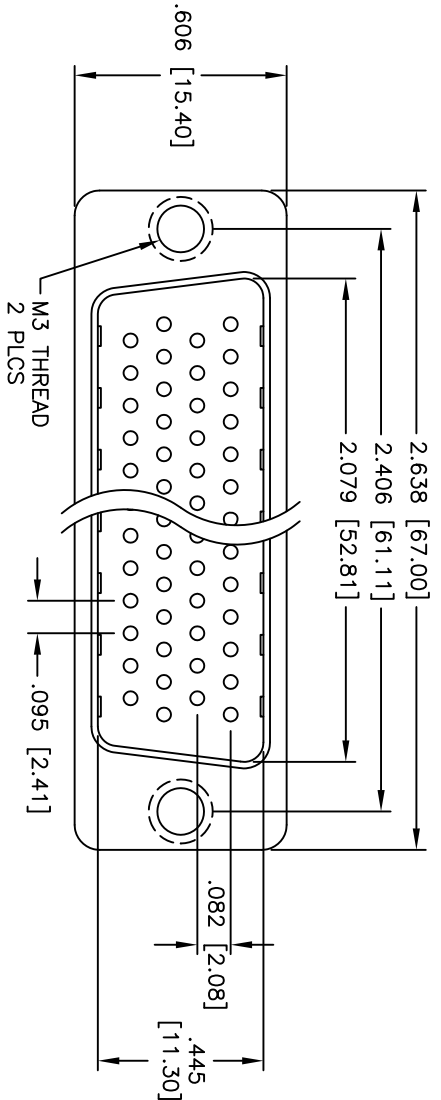


Rev	AWO #	Description	Date	Appr
-		RELEASED	8/9/07	

APPROVED: \_\_\_\_\_  
 DATE: \_\_\_\_\_ TITLE: \_\_\_\_\_



**SPECIFICATIONS:**

- Material: Insulator: PBT, glass reinforced, rated UL 94V-0
- Insulator color: Black
- Contacts: Phosphor Bronze
- Shell: Steel, Tin plated
- Plating: Gold flash over Nickel underplate overall
- Electrical: Operating voltage: 250 VAC max
- Current rating: 5 Amps max
- Contact resistance: 20 mohms max
- Insulation resistance: 5,000 Mohms min
- Dielectric withstanding voltage: 1,000 VAC for 1 minute
- Temperature Rating: Operating temperature: -65°C to +125°C
- Environmental: Lead free, RoHS compliant
- Recommended soldering temp: 235°C for 5 seconds



UNLESS OTHERWISE SPECIFIED ALL DIMENSIONS ARE INCHES [MM]	
TOLERANCES: EXCEPT AS NOTED	
INCHES	HOLDS
.X ± .10	ØX ± .10
.XX ± .020	ØXXX ± .015
.XXX ± .015	ØXXX ± .010
APPROVALS	DATE
DRAWN	SS
CHECKED	
APPROVED	

**ADAM TECH**  
 909 Rahway Avenue, Union, NJ 07083  
 Phone: 908-687-5000 Fax: 908-687-5710

TITLE: 78 POS. HIGH DENSITY D-SUB PLUG  
 PCB TAILS, M3 THREAD MOUNTING HOLES

SIZE	PART NO.	REV.
X	HDT78-PT-M3H	-
REF:	SCALE: NTS	SHEET 1 OF 1