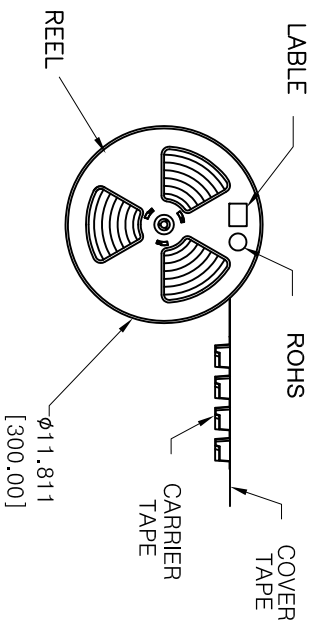
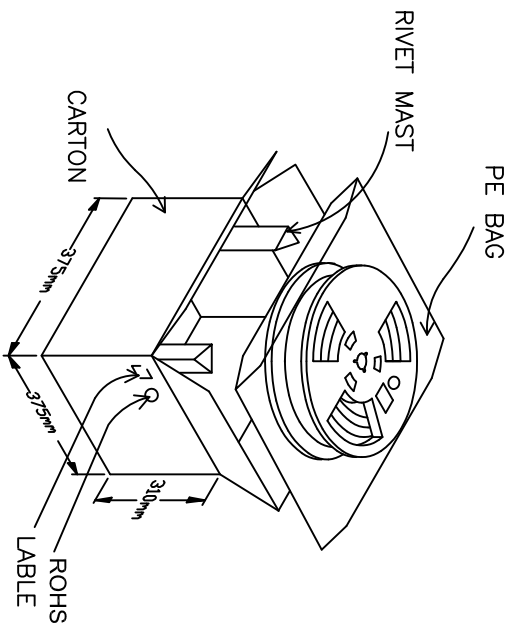
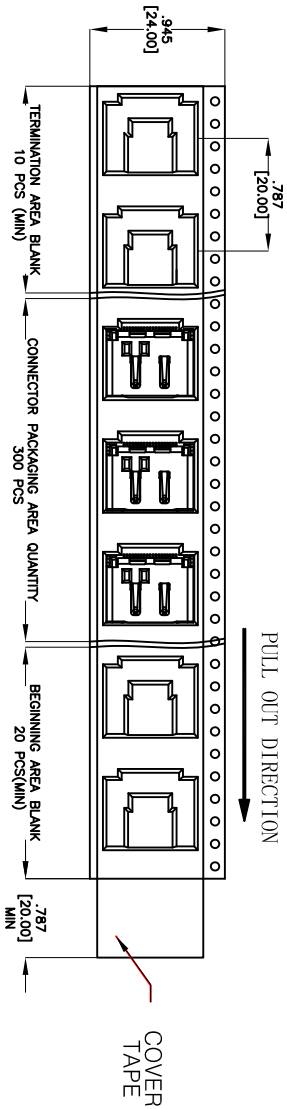


Rev	AWO #	Description	Date	Appr
-		RELEASED	11/4/10	

APPROVED: _____
 DATE: _____ TITLE: _____



PACKAGED ON TAPE & REEL

SPECIFICATIONS:
 CARTON: 37.5 X 37.5 X 31.0CM
 300pcs/reel, 10reels/carton
 3000pcs/ carton

UNLESS OTHERWISE SPECIFIED ALL DIMENSIONS ARE INCHES [MM]	
TOLERANCES: EXCEPT AS NOTED	
INCHES	HOLES
.X ± .10	ØX ± .10
.XX ± .020	ØXXX ± .015
.XXX ± .015	ØXXXX ± .010
APPROVALS	
DRAWN	AY
CHECKED	AH
DATE	11/4/10
APPROVED	

ADAM TECH	
909 Rahway Avenue, Union, NJ 07083	
Phone: 908-687-5000 Fax: 908-687-5710	
TITLE: HDMI CONNECTOR, RIGHT ANGLE	
SMT TYPE, HEADER ASSEMBLY	
SIZE	PART NO.
X	HDMI-S-RA-SMT-A-T/R
REF: S00015C	SCALE: NTS
SHEET 2 OF 2	REV. -