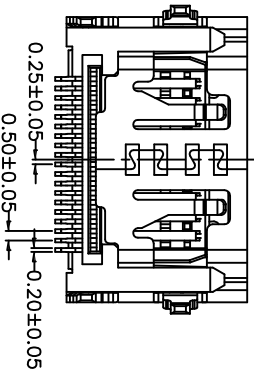
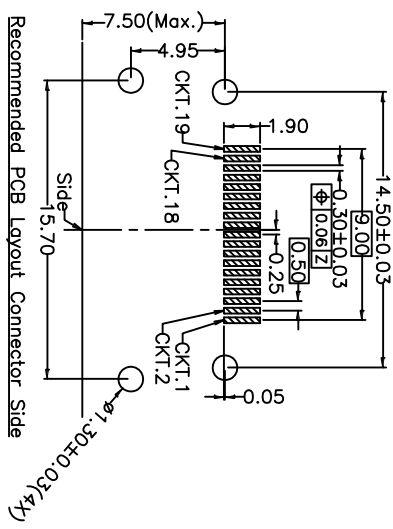
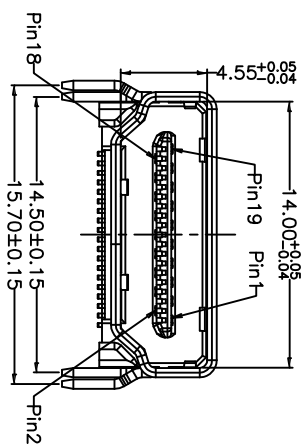
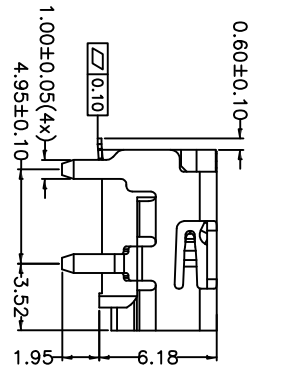
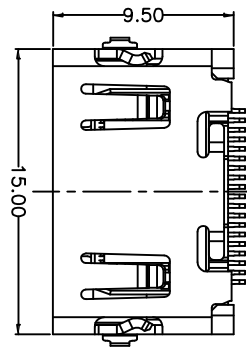


Rev	AWO #	Description	Date	Appr
-		RELEASED	4/29/11	

APPROVED: \_\_\_\_\_  
 DATE: \_\_\_\_\_ TITLE: \_\_\_\_\_



PACKAGED ON TAPE & REEL

**SPECIFICATIONS:**

- Material: Housing: LCP, UL 94V-0
- Housing color: Black
- Contact: Brass
- Shield: Steel, Nickel plated
- Plating: Gold flash over Nickel underplate on contact area, Tin over Copper underplate on tails.
- Electrical: Voltage rating: 40V
- Current rating: 0.5A
- Contact resistance: 10 mohms max.
- Insulation resistance: 100M ohms min. @ 500VDC
- a. Unmated: 10M ohms min. @ 150VDC
- b. Mated: 10M ohms min. @ 150VDC
- Environmental: Lead free, RoHS Compliant
- Recommended soldering temp: 260°C for 5 seconds.

**ADAM TECH**

909 Rahway Avenue, Union, NJ 07083  
 Phone: 908-687-5000 Fax: 908-687-5710

HDMI CONNECTOR, RIGHT ANGLE, SMT

UNLESS OTHERWISE SPECIFIED ALL DIMENSIONS ARE MM TOLERANCES: EXCEPT AS NOTED	
INCHES	HOLDS
.X ± .10	ØX ± .10
.XX ± .020	ØXX ± .015
.XXX ± .015	ØXXX ± .010
APPROVALS	DATE
DRAWN	DY
CHECKED	4/29/11
APPROVED	

SIZE	PART NO.	REV.
X	HDMI-S-RA-SMT-05A-TR	-
REF:	S00015C	SHEET 1 OF 1

