

Rev	AWO #	Description	Date	Appr
-		RELEASED	6/04/10	

6

5

4

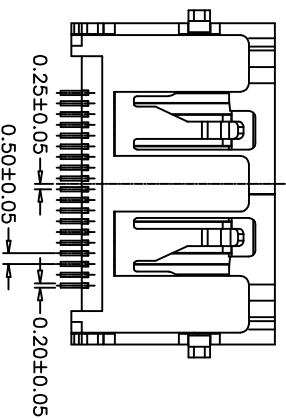
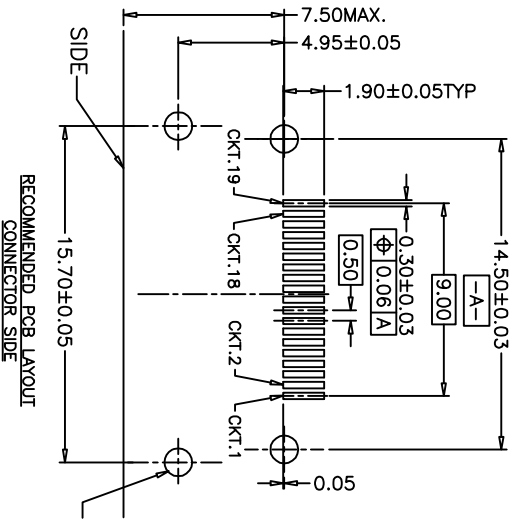
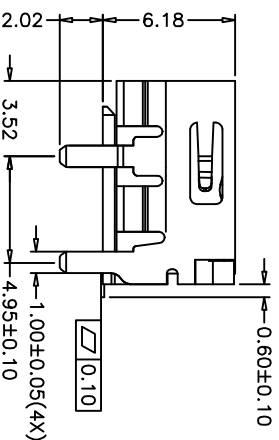
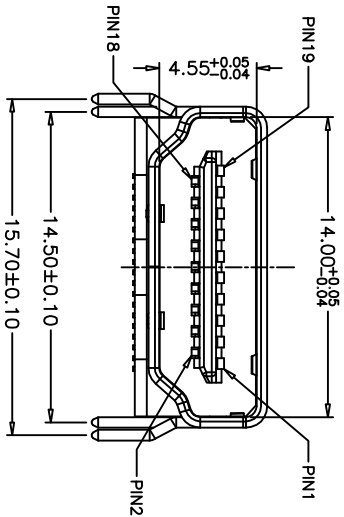
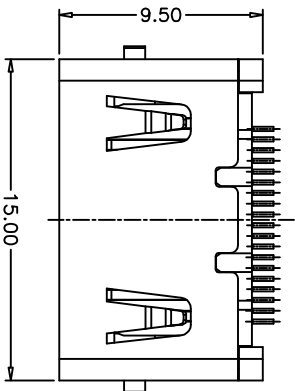
3

2

1

APPROVED: _____

DATE: _____ TITLE: _____



RECOMMENDED PCB LAYOUT
CONNECTOR SIDE

4*ø1.30±0.03

PACKAGED ON TAPE & REEL

SPECIFICATIONS:

- Material: Housing: Hi-temp thermoplastic, UL 94V-0
- Housing color: Black
- Contact: Copper Alloy
- Shield: Copper Alloy, Nickel plated
- Plating: Gold flash over Nickel underplate on contact area, Tin over Copper underplate on tails.
- Electrical: Voltage rating: 40V
- Current rating: 0.5A
- Dielectric strength: 300VAC for 1 minute min.
- Insulation resistance: 100 Megohm min.
- Contact resistance: 10 mohms max.
- Environmental: Lead free, RoHS Compliant
- Recommended soldering temp: 260°C for 5 seconds.

ADAM TECH

909 Rahway Avenue, Union, NJ 07083
Phone: 908-687-5000 Fax: 908-687-5710

HDMI CONNECTOR, RIGHT ANGLE, SMT

UNLESS OTHERWISE SPECIFIED ALL DIMENSIONS ARE MM TOLERANCES: EXCEPT AS NOTED INCHES	
.X ± .10	ØX ± .10
.XX ± .020	ØXX ± .015
.XXX ± .015	ØXXX ± .010
APPROVALS	DATE
DRAWN	DY
CHECKED	
APPROVED	

SIZE	PART NO.	REV.
X	HDMI-S-RA-SMT-01-T/R	-
REF:	S00015C	
SCALE:	NTS	
SHEET	1 OF 1	

A

B

C

D

A

B

C

D

6

5

4

3

2

1

