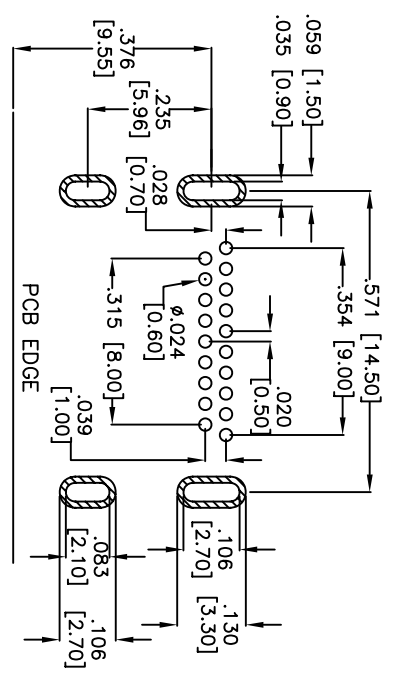
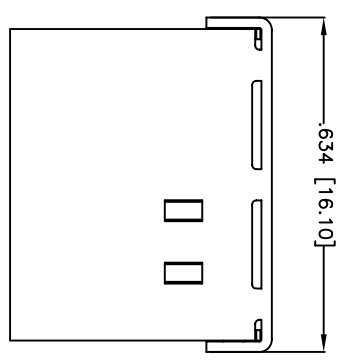
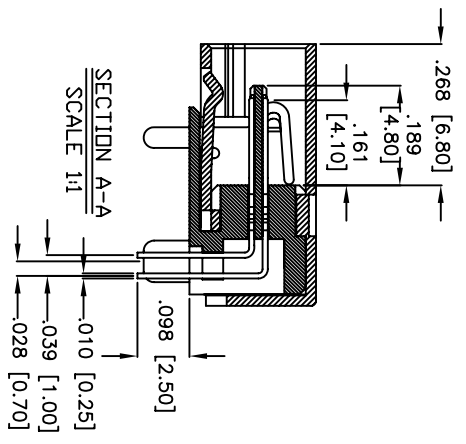
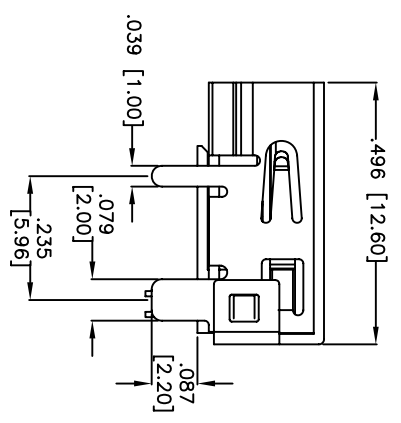
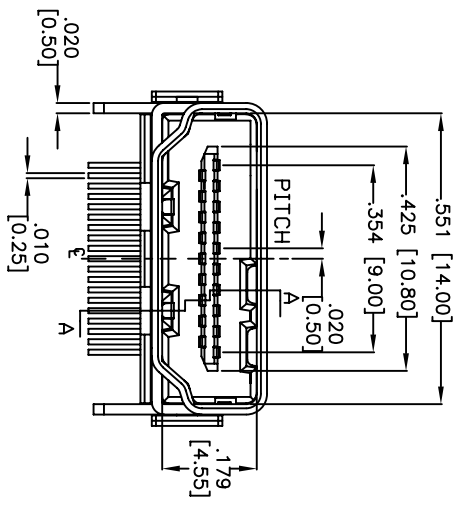


APPROVED: _____
 DATE: _____ TITLE: _____

Rev	AWO #	Description	Date	Appr
-		RELEASED	01/04/07	BAS
A		REDRAWN	10/13/08	BAS



RECOMMENDED PCB LAYOUT



SPECIFICATIONS:
 Material: Insulator: Hi-Temperature thermoplastic, glass filled, rated UL94V-0
 Contact: Copper Alloy.
 Shell: Copper Alloy.

Plating: Gold flash over Nickel underplate on mating area, Tin over Copper underplate on tails.
 Electrical: Current rating: 0.5 Amps max.
 Contact resistance: 20 mOhms max.
 Insulation Resistance: 100 mOhms min.
 Dielectric withstanding voltage: 300 VAC for 1 minute.
 Temperature Rating: Operating temperature: -55°C to +85°C
 Environmental: Lead free, RoHS Compliant
 Recommended soldering temp: 260°C for 5 seconds.

ADAM TECH
 909 Rahway Avenue, Union, NJ 07083
 Phone: 908-687-5000 Fax: 908-687-5710

HDMI, RIGHT ANGLE, DIP CONNECTOR

UNLESS OTHERWISE SPECIFIED ALL DIMENSIONS ARE INCHES [MM]	
TOLERANCES: EXCEPT AS NOTED	
INCHES	HOLDS
.X ± .10	ØX ± .10
.XX ± .020	ØXX ± .015
.XXX ± .015	ØXXX ± .010
APPROVALS	DATE
DRAWN	BW
CHECKED	
APPROVED	

SIZE	PART NO.	REV.
X	HDMI-S-RA-1	A
REF:	SCALE: NTS	SHEET 1 OF 1

