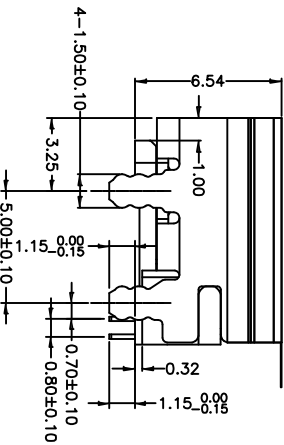
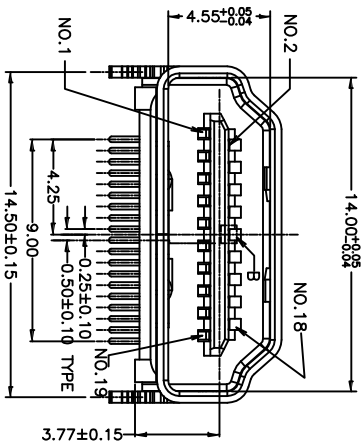
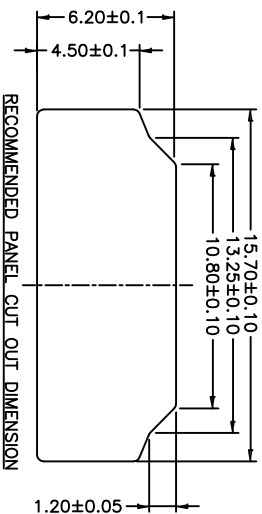
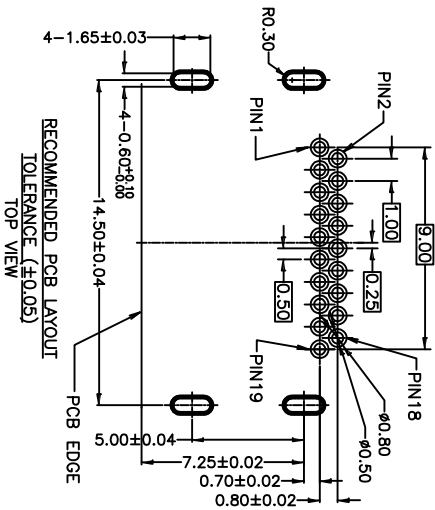
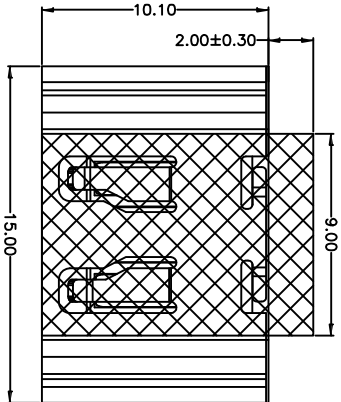


Rev	AWO #	Description	Date	Appr
-		RELEASED	6/04/10	

6 5 4 3 2 1

APPROVED: _____

DATE: _____ TITLE: _____



SPECIFICATIONS:

Material:
Housing: Hi-temp thermoplastic, UL 94V-0
Housing color: Black
Contact: Copper Alloy
Shield: Copper Alloy, Nickel plated
Plating:
Gold flash over Nickel underplate on contact area,
Tin over Copper underplate on tails.
Electrical:
Voltage rating: 40V
Current rating: 0.5A
Dielectric strength: 300VAC for 1 minute min.
Insulation resistance: 100 Megohm min.
Contact resistance: 10 mohms max.
Environmental:
Lead free, RoHS Compliant
Recommended soldering temp: 260°C for 5 seconds.

PACKAGED ON TAPE & REEL

ADAM TECH

909 Rahway Avenue, Union, NJ 07083
Phone: 908-687-5000 Fax: 908-687-5710

TITLE: HDMI CONNECTOR, RIGHT ANGLE
DIP TYPE, 2 ROWS

UNLESS OTHERWISE SPECIFIED ALL DIMENSIONS ARE MM		INCHES		HOLE SIZES	
.X	± .10	ØX	± .10		
.XX	± .020	ØXXX	± .015		
.XXX	± .015	ØXXX	± .010		
APPROVALS		DATE		TITLE	
DRAWN	DY	6/04/10		HDMI-S-RA-1-RF-KT-T/R	
CHECKED				PART NO.	
APPROVED				HDMI-S-RA-1-RF-KT-T/R	
REF: S00015C		SCALE: NTS		SHEET 1 OF 1	

6 5 4 3 2 1

