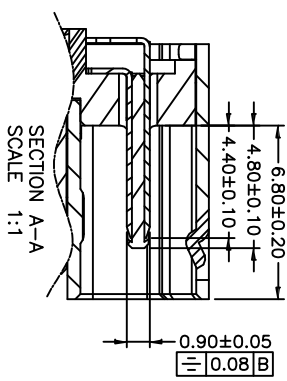
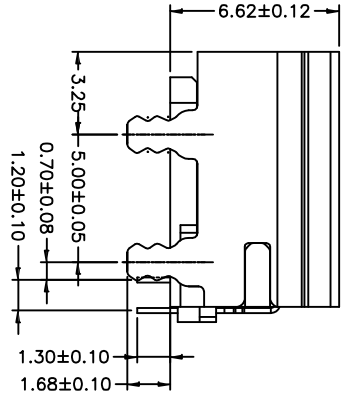
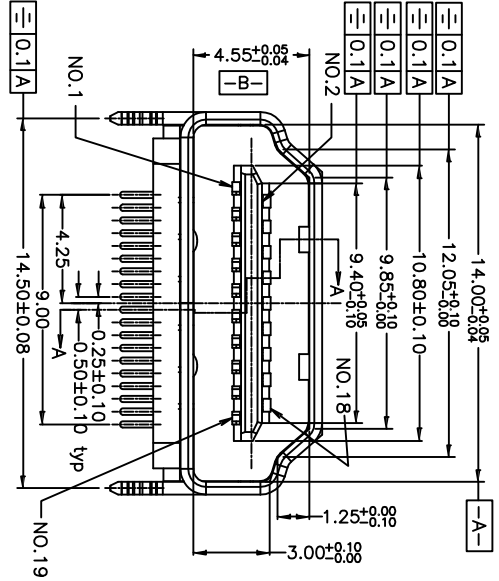
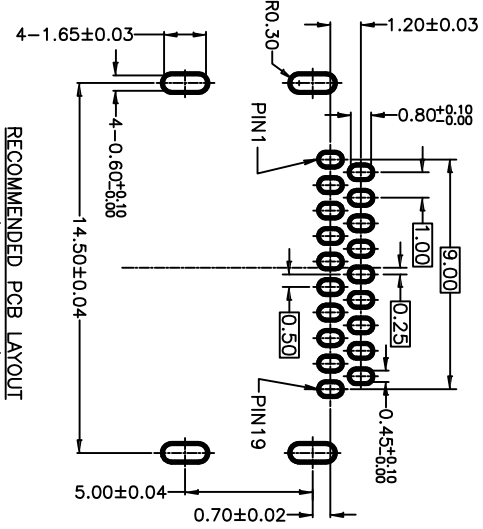
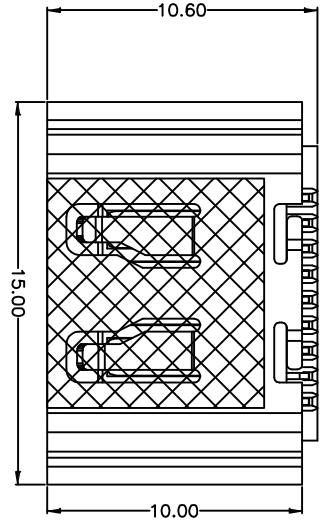


| Rev | AWO # | Description | Date    | Appr |
|-----|-------|-------------|---------|------|
| -   |       | RELEASED    | 6/08/10 |      |

APPROVED: \_\_\_\_\_  
 DATE: \_\_\_\_\_ TITLE: \_\_\_\_\_



SECTION A-A  
SCALE: 1:1

PACKAGED ON TAPE & REEL

**SPECIFICATIONS:**

- Material: Housing: Hi-temp thermoplastic, UL 94V-0
- Housing color: Black
- Contact: Copper Alloy
- Shield: Copper Alloy, Nickel plated
- Plating: 3u" Gold over Nickel underplate on contact area, Tin over Copper underplate on tails.
- Electrical: Voltage rating: 40V
- Current rating: 0.5A
- Dielectric strength: 300VAC for 1 minute min.
- Contact resistance: 100 Megohm min.
- Insulation resistance: 10 mohms max.
- Environmental: Lead free, RoHS Compliant
- Recommended soldering temp: 260°C for 5 seconds.

**ADAM TECH**

909 Rahway Avenue, Union, NJ 07083  
 Phone: 908-687-5000 Fax: 908-687-5710

TITLE: **HDMI CONNECTOR, RIGHT ANGLE**  
 DTP TYPE, 2 ROWS

|   |                             |                            |              |
|---|-----------------------------|----------------------------|--------------|
| UNLESS OTHERWISE SPECIFIED<br>ALL DIMENSIONS ARE MM |                             | TOLERANCES EXCEPT AS NOTED |              |
| INCHES  |                             | Holes                      |              |
| .X  | ± .10                       | ØXX                        | ± .10        |
| .XX   | ± .020                      | ØXXX                       | ± .015       |
| .XXX  | ± .015                      | ØXXXX                      | ± .010       |
| APPROVALS   |                             | DATE                       |              |
| DRAWN   | DY                          | 6/08/10                    |              |
| CHECKED   |                             |                            |              |
| APPROVED  |                             |                            |              |
| SIZE  | PART NO.                    | REF:                       | SCALE: NTS   |
| X   | HDMI-S-RA-1-RF-01-03-KT-T/R | S00015C                    | SHEET 1 OF 1 |