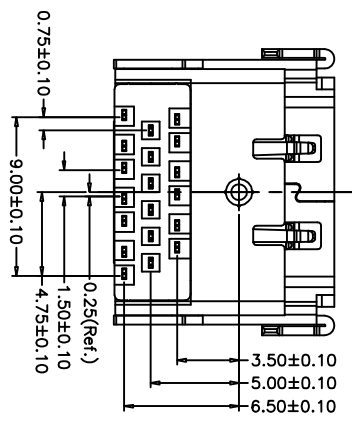
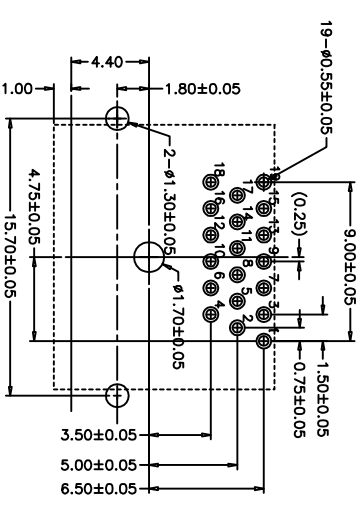
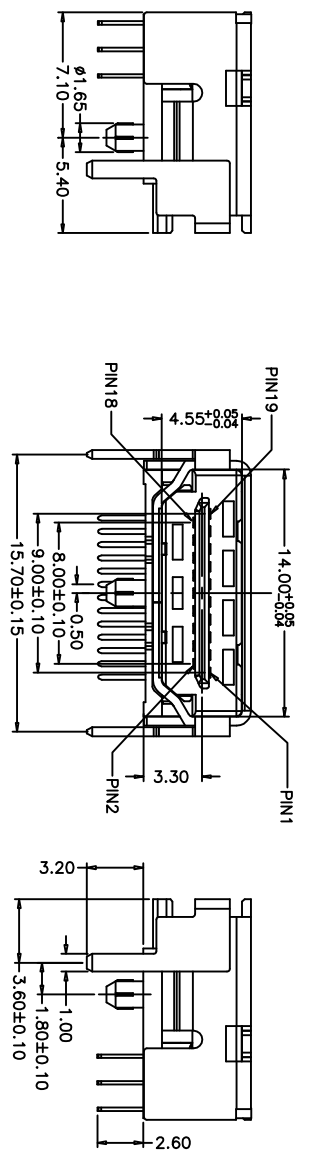
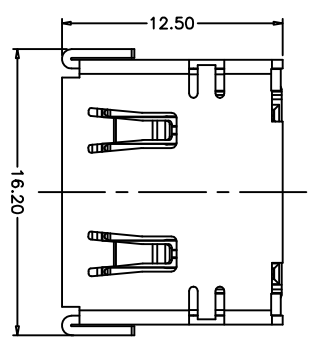


Rev	AWO #	Description	Date	Appr
-		RELEASED	6/03/10	

APPROVED: _____
 DATE: _____ TITLE: _____



SPECIFICATIONS:

Material:

Housing: Hi-temp thermoplastic, UL 94V-0

Housing color: Black

Contact: Copper Alloy

Shield: Copper Alloy, Nickel plated

Plating:

Gold flash over Nickel underplate on contact area,
 Tin over Copper underplate on tails.

Electrical:

Voltage rating: 40V

Current rating: 0.5A

Dielectric strength: 300VAC for 1 minute min.

Contact resistance: 100 Megohm min.

Insulation resistance: 10 mohms max.

Environmental:

Lead free, RoHS Compliant

Recommended soldering temp: 260°C for 5 seconds.



ADAM TECH

909 Rahway Avenue, Union, NJ 07083
 Phone: 908-687-5000 Fax: 908-687-5710

TITLE: HDMl CONNECTOR, 19P, NO FLANGE
 DIP TYPE, 3 ROWS

UNLESS OTHERWISE SPECIFIED ALL DIMENSIONS ARE MM	
TOLERANCES: EXCEPT AS NOTED	
INCHES	HOLDS
.X ± .10	ØX ± .10
.XX ± .020	ØXX ± .015
.XXX ± .015	ØXXX ± .010
APPROVALS	DATE
DRAWN	6/03/10
CHECKED	
APPROVED	

SIZE	PART NO.	REV.
X	HDMl-S-RA-1-02	-
REF:	S00015C	SHEET 1 OF 1
SCALE:	NTS	

6 5 4 3 2 1