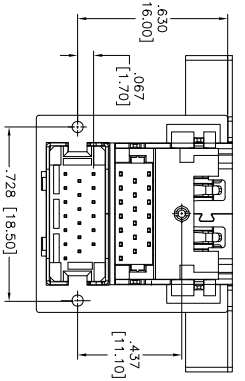
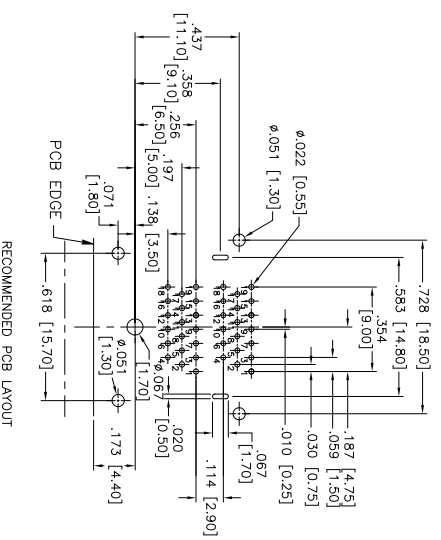
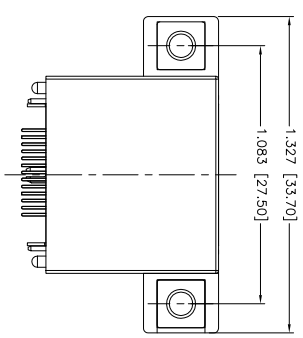
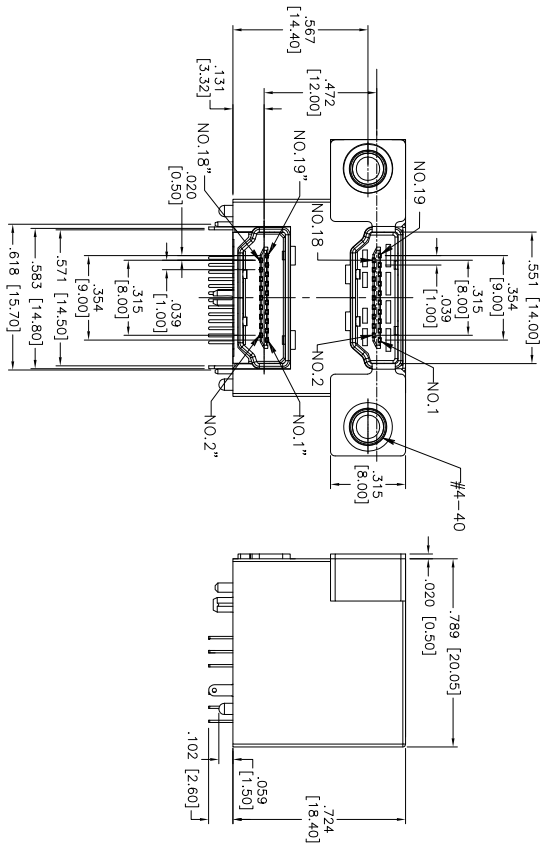
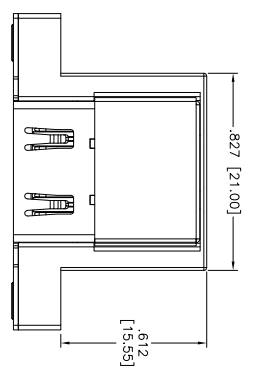


6	5	4	3	2	1		
APPROVED: _____	TITLE: _____	DATE: _____	Rev	AWO #	Description	Date	Appr
			-		RELEASED	11/16/10	



SPECIFICATIONS:

Material: Hi-temp thermoplastic, UL 94V-0
 Housing color: Black
 Contact: Copper Alloy
 Shield: Copper Alloy, Tin plated over Nickel
 Plating: Gold Flash over Nickel underplate on contact area, Tin over Copper underplate on tails.
 Electrical: Current rating: 0.5A
 Dielectric strength: 500VAC for 1 minute min.
 Insulation resistance: 100 Megohm min @ 500V DC
 Operating temperature: -25°C to +85°C
 Environmental: Lead free, RoHS Compliant
 Recommended soldering temp: 260°C for 5 seconds.

UNLESS OTHERWISE SPECIFIED
 ALL DIMENSIONS ARE MM
 TOLERANCES: EXCEPT AS NOTED
 INCHES
 .X ± .10 ØXX ± .10
 .XX ± .020 ØXXX ± .015
 .XXX ± .015 ØXXXX ± .010



DRAWN		DRY	11/16/10	SIZE	PART NO.	REV.
CHECKED				X	HDMI-D-RA-1-MF	
APPROVED				REF:	S000176T	SHEET 1 OF 1
<p>ADAM TECH 909 Rahway Avenue, Union, NJ 07083 Phone: 908-687-5000 Fax: 908-687-5710</p>				<p>DUAL HDMI STACKED CONNECTOR THROUGH HOLE TYPE</p>		