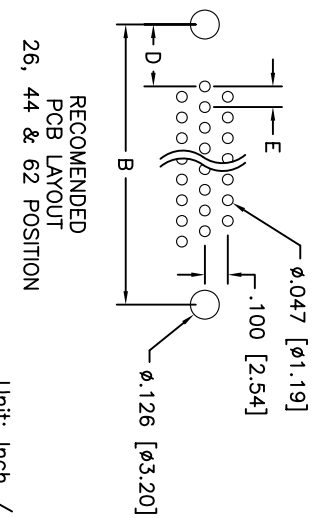
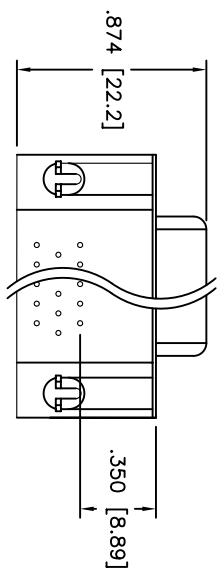
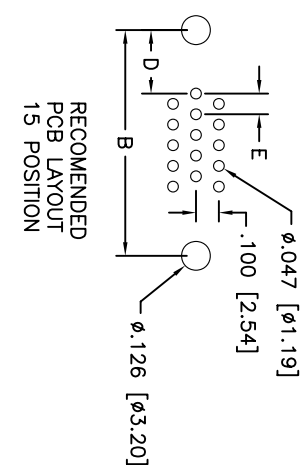
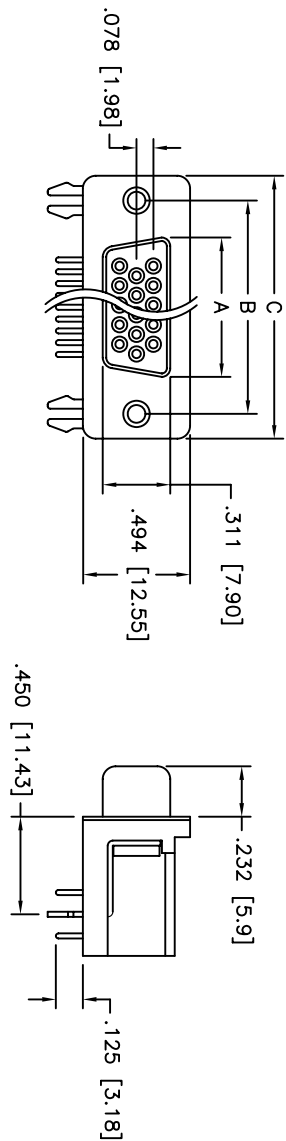


Rev	AWO #	Description	Date	Appr
-		RELEASED	11/15/04	

APPROVED: \_\_\_\_\_  
 DATE: \_\_\_\_\_ TITLE: \_\_\_\_\_



Unit: Inch / mm

Positions	DIMENSIONS				
	A	B	C	D	E
15	.643 [16.33]	.984 [24.99]	1.213 [30.81]	.277 [7.04]	.090 [2.29]
26	.971 [24.66]	1.312 [33.32]	1.541 [39.14]	.277 [7.04]	.090 [2.29]
44	1.511 [38.38]	1.852 [47.04]	2.088 [53.04]	.277 [7.04]	.090 [2.29]
62	2.159 [54.84]	2.500 [63.50]	2.729 [69.32]	.276 [7.00]	.095 [2.41]
78	2.064 [52.43]	2.406 [61.11]	2.635 [66.93]	.300 [7.63]	.095 [2.41]

**ADAM TECH**

909 Rahway Avenue, Union, NJ 07083  
 Phone: 908-687-5000 Fax: 908-687-5710

TITLE: D-SUB, HIGH DENSITY, RIGHT ANGLE, PCB

UNLESS OTHERWISE SPECIFIED ALL DIMENSIONS ARE INCHES [MM]		SIZE	PART NO.	REV.
TOLERANCES: EXCEPT AS NOTED		X	HDLXX-SL-B-30	-
INCHES		CHECKED	SCALE: NTS	SHEET 1 OF 1
.X ± .10 ØXX ± .10		DRAWN	SS	11/15/04
.XX ± .020 ØXXX ± .015		APPROVED		
.XXX ± .015 ØXXXX ± .010		APPROVALS	DATE	

**SPECIFICATIONS:**  
 Material: Insulator: PBT, glass reinforced, rated UL 94V-0  
 Insulator color: Black  
 Contacts: Phosphor Bronze  
 Shell: Steel, Zinc plated  
 Plating: 30u" Gold nom over Nickel underplate overall  
 Electrical: Operating voltage: 250 VAC max  
 Current rating: 5 Amps max  
 Contact resistance: 20 mohms max  
 Insulation resistance: 5000 Mohms min @ 500 VDC  
 Dielectric withstanding voltage: 1000 VAC for 1 minute  
 Temperature Rating: Operating temperature: -65°C to +125°C  
 Environmental: Lead free, RoHS compliant.  
 Recommended soldering temp: 235°C for 5 sec.

