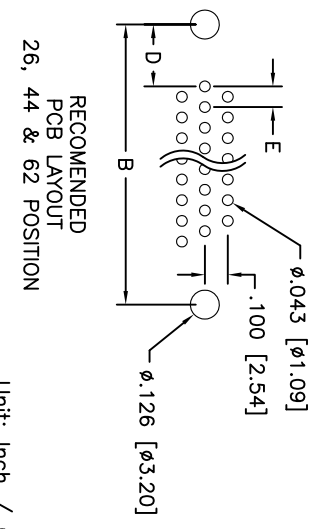
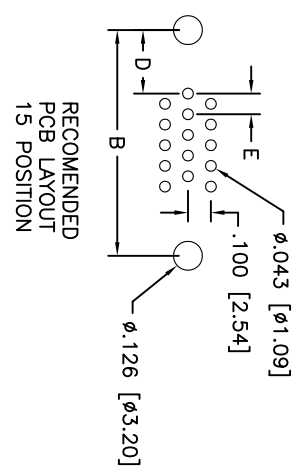
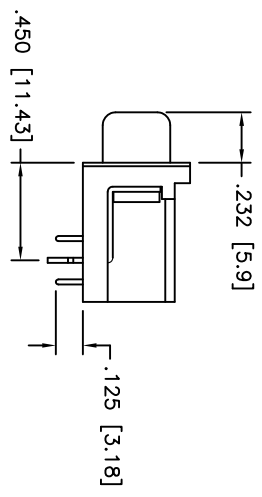
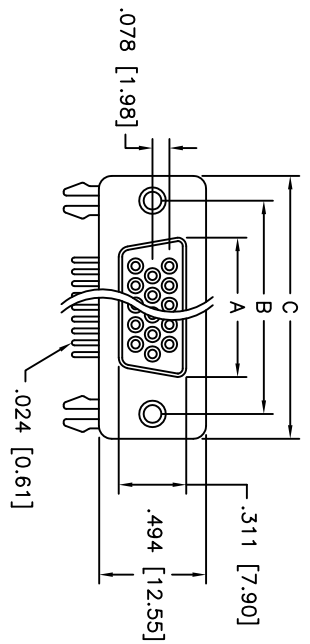
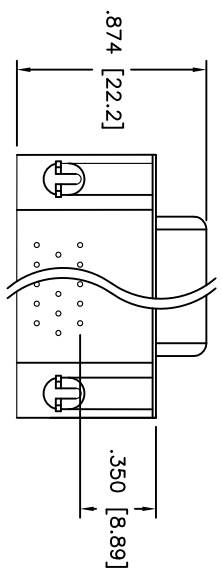


Rev	AWO #	Description	Date	Appr
-		RELEASED	11/15/04	

APPROVED: _____
 DATE: _____ TITLE: _____



Unit: Inch / mm



Positions	DIMENSIONS				
	A	B	C	D	E
15	.643 [16.33]	.984 [24.99]	1.213 [30.81]	.277 [7.04]	.090 [2.29]
26	.971 [24.66]	1.312 [33.32]	1.541 [39.14]	.277 [7.04]	.090 [2.29]
44	1.511 [38.38]	1.852 [47.04]	2.088 [53.04]	.277 [7.04]	.090 [2.29]
62	2.159 [54.84]	2.500 [63.50]	2.729 [69.32]	.276 [7.00]	.095 [2.41]
78	2.064 [52.43]	2.406 [61.11]	2.635 [66.93]	.300 [7.63]	.095 [2.41]

ADAM TECH

909 Rahway Avenue, Union, NJ 07083
 Phone: 908-687-5000 Fax: 908-687-5710

D-SUB, HIGH DENSITY, RIGHT ANGLE, PCB

SPECIFICATIONS:
 Material: Insulator: Hi-temp thermoplastic, rated UL 94V-0
 Insulator color: Black
 Contacts: Phosphor Bronze
 Shell: Steel, Zinc plated
 Plating: 30u" Gold nom over Nickel underplate overall
 Electrical: Operating voltage: 250 VAC max
 Current rating: 5 Amps max
 Contact resistance: 20 mohms max
 Insulation resistance: 5000 Mohms min @ 500 VDC
 Dielectric withstanding voltage: 1000 VAC for 1 minute
 Temperature Rating: Operating temperature: -65°C to +125°C
 Environmental: Lead free, RoHS compliant.
 Recommended soldering temp: 260°C for 5 sec.



UNLESS OTHERWISE SPECIFIED ALL DIMENSIONS ARE IN INCHES [MM]		TITLE	
TOLERANCES: EXCEPT AS NOTED		D-SUB, HIGH DENSITY, RIGHT ANGLE, PCB	
INCHES		DATE	
.X ± .10	ØX ± .10	11/15/04	
.XX ± .020	ØXX ± .015	DRAWN SS	
.XXX ± .015	ØXXX ± .010	CHECKED	
APPROVALS	DATE	APPROVED	
SIZE	PART NO.	HDLXX-SL-B-HT-30	
X		SCALE: NTS	
REV.	SHEET 1 OF 1		