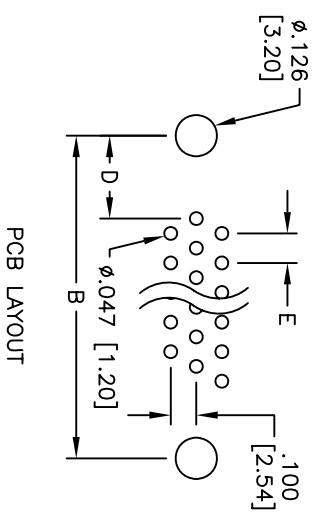
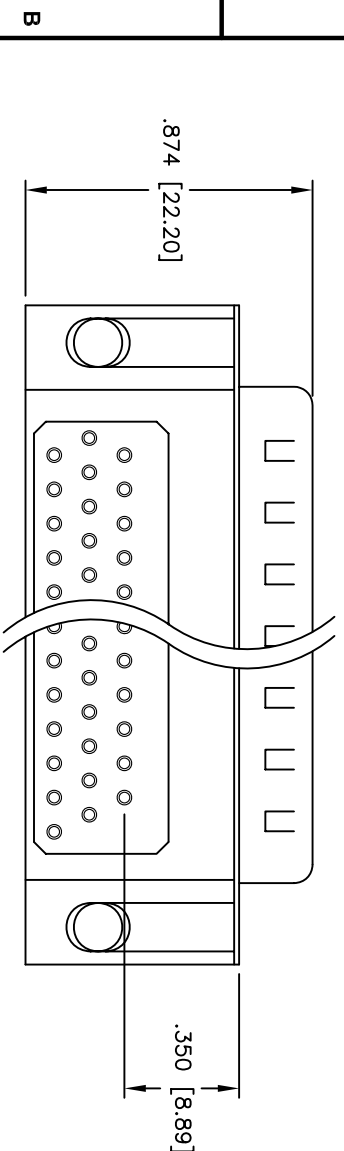
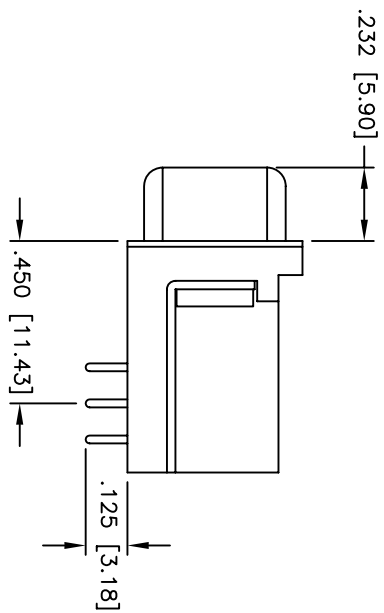
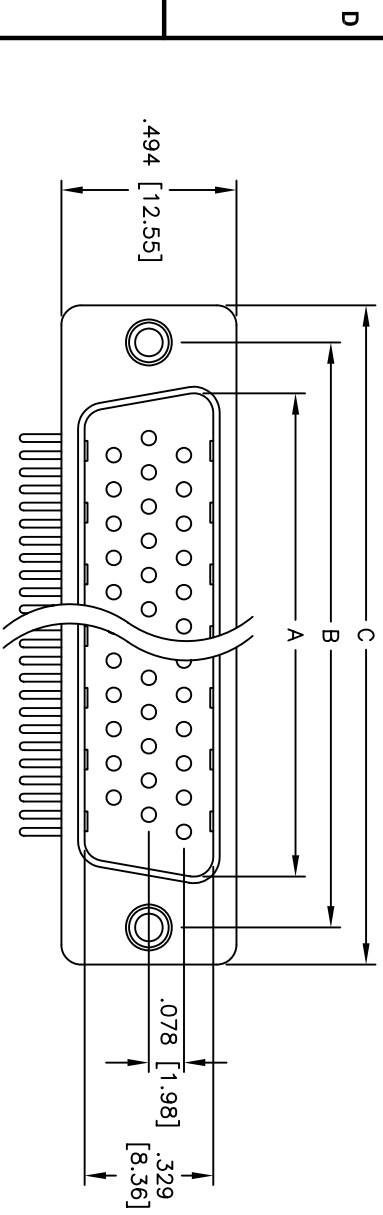


Rev	AWO #	Description	Date	Appr
-		RELEASED	5/6/05	

APPROVED: _____
 DATE: _____ TITLE: _____



HDLXX	DIMENSIONS				
	A	B	C	D	E
26	.994 [25.25]	1.312 [33.32]	1.541 [39.14]	.271 [6.88]	.090 [2.29]
44	1.534 [38.96]	1.852 [47.04]	2.088 [53.04]	.271 [6.88]	.090 [2.29]
62	2.182 [55.42]	2.500 [63.50]	2.729 [69.32]	.276 [7.00]	.095 [2.41]

SPECIFICATIONS:

Material: Insulator: PBT, glass reinforced, rated UL 94V-0
 Insulator color: Black
 Contacts: Phosphor Bronze
 Shell: Steel, Tin plated
 Hardware: Brass, Nickel plated
 Plating:
 Gold flash over Nickel underplate overall

Electrical:
 Operating voltage: 250 VAC max
 Current rating: 5 Amps max
 Contact resistance: 20 mohms max
 Insulation resistance: 5,000 Mohms min
 Dielectric withstanding voltage: 1,000 VAC for 1 minute
 Temperature Rating:
 Operating temperature: -65°C to +125°C



Environmental:
 Lead free, RoHS compliant
 Recommended soldering temp: 235°C for 5 seconds

ADAM TECH

909 Railway Avenue, Union, NJ 07083
 Phone: 908-687-5000 Fax: 908-687-5710

TITLE: HIGH DENSITY D-SUB PLUG, EMI FILTERED
 #4-40 INSERTS & TOPSIDE GROUNDSTRAPS
 PART NO.: HDLXX-PL-D-EMI
 SCALE: NTS SHEET 1 OF 1