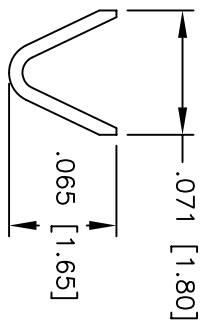
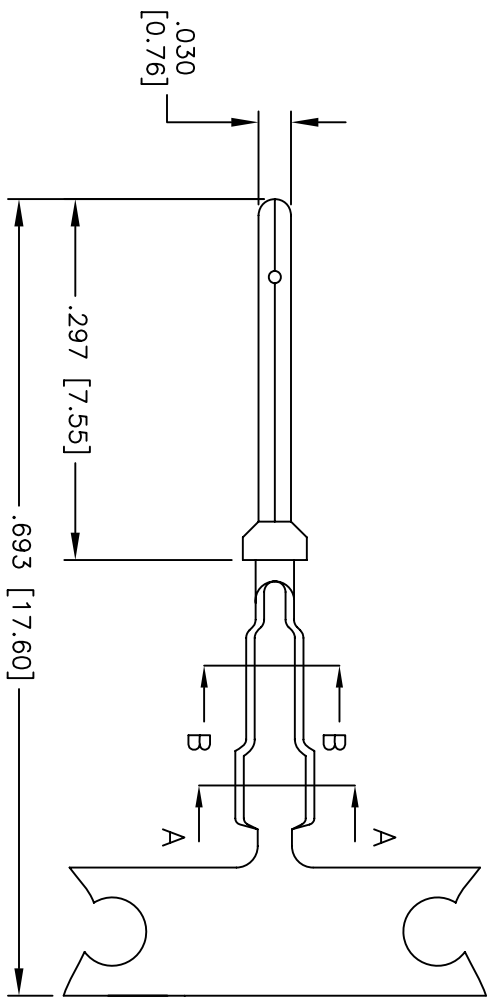
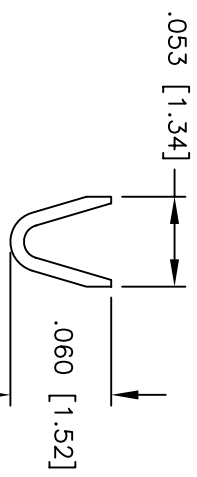
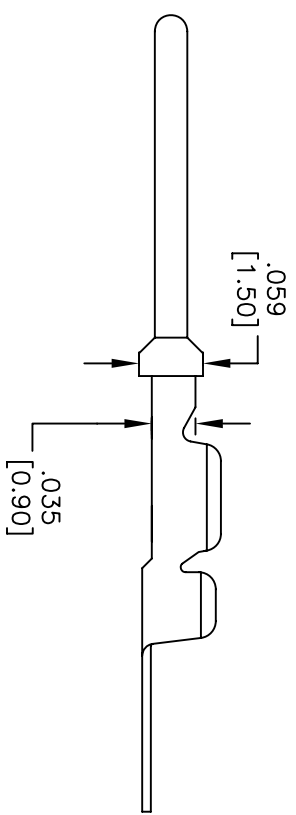


Rev	AWO #	Description	Date	Appr
-		RELEASED	1/13/05	

APPROVED: _____
 DATE: _____ TITLE: _____



SEC A-A



SEC B-B

SPECIFICATIONS:
 Material: Phosphor Bronze
 Contact: Phosphor Bronze
 Plating: Gold flash over Nickel underplate
 Electrical:
 Operating voltage: 250 VAC max
 Current rating: 5 Amps max
 Contact resistance: 20 mohms max initial
 Mechanical:
 Recommended wire range: 24-26 AWG
 Temperature Rating:
 Operating temperature: -65°C to +125°C
 Packaging:
 R = 10,000 Pieces on reel
 B = 1,000 Pieces loose cut
 Environmental:
 Lead free, RoHS compliant



UNLESS OTHERWISE SPECIFIED ALL DIMENSIONS ARE INCHES [MM]	
TOLERANCES: EXCEPT AS NOTED	HOLDS
.X ± .10	ØX ± .10
.XX ± .020	ØXXX ± .015
.XXX ± .015	ØXXX ± .010
APPROVALS	DATE
DRAWN SS	1/13/05
CHECKED	
APPROVED	

ADAM TECH
 909 Rahway Avenue, Union, NJ 07083
 Phone: 908-687-5000 Fax: 908-687-5710

TITLE: HIGH DENSITY D-SUB PLUG CONTACT
 24-26 AWG

SIZE X	PART NO. HDGP-01-X	REV. -
REF:	SCALE: NTS	SHEET 1 OF 1