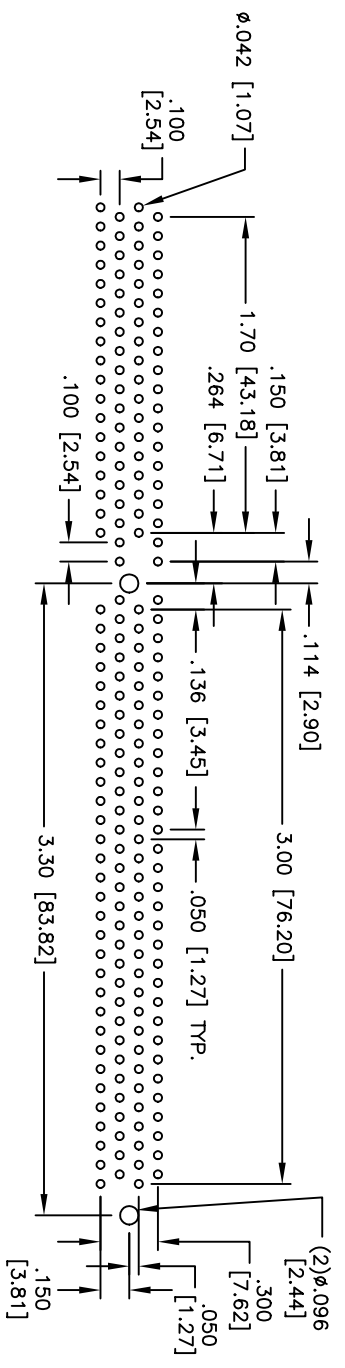
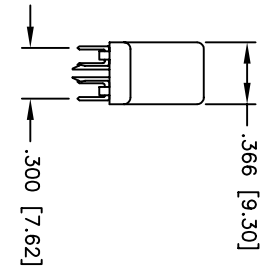
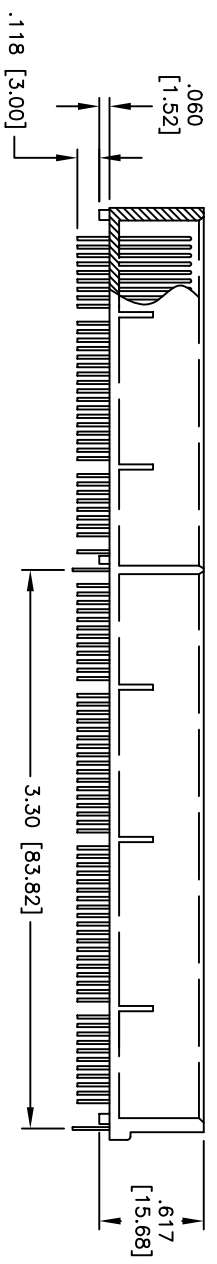
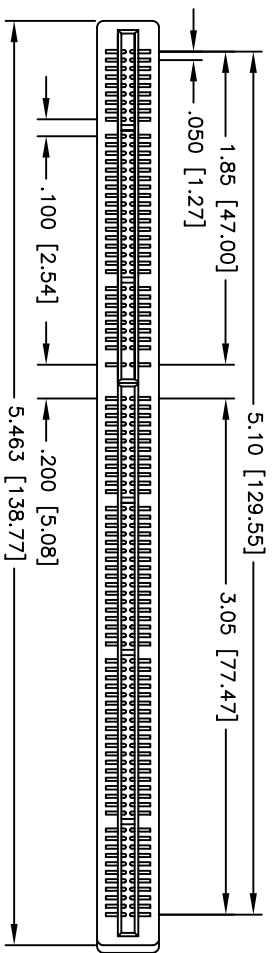


APPROVED: _____	DATE: _____	TITLE: _____
Rev	AWO #	Description
-		RELEASED
		Date
		3/23/05
		Appr



PCB LAYOUT

**SPECIFICATIONS:**

Material: Insulator: PPS, 30% glass reinforced, rated UL 94V-0

Insulator color: Dark Brown

Contacts: Phosphor Bronze

Plating:

Gold over Nickel underplate on contact area, Tin over Copper underplate on PCB tolls

Electrical: Operating voltage: 125 VAC max

Current rating: 3 Amps max

Contact resistance: 20 mohms max initial

Insulation resistance: 1000 Mohms min

Dielectric withstanding voltage: 500 VAC for 1 minute

Temperature Rating: Operating temperature: -55°C to +105°C

Environmental: Lead free, RoHS compliant

Recommended soldering temp: 230°C for 5 seconds



UNLESS OTHERWISE SPECIFIED  
ALL DIMENSIONS ARE INCHES [MM]  
TOLERANCES: EXCEPT AS NOTED  
INCHES: .X ±.10 ∅XX ±.10  
.XX ±.020 ∅XXX ±.015  
.XXX ±.015

APPROVALS		DATE
DRAWN	SS	3/23/05
CHECKED		
APPROVED		

**ADAM TECH**  
909 Rahway Avenue, Union, NJ 07083  
Phone: 908-687-5000 Fax: 908-687-5710

**EISA CARD EDGE CONNECTOR**  
**188 POSITIONS, SELECTIVE GOLD**

TITLE: \_\_\_\_\_  
SIZE: X PART NO.: HDCE-188-G  
SCALE: NTS SHEET 1 OF 1