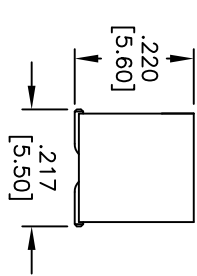
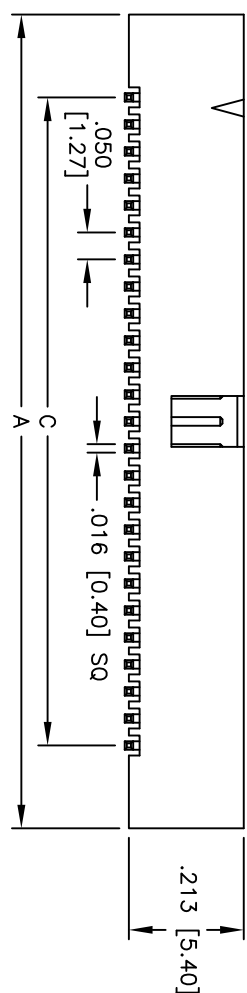
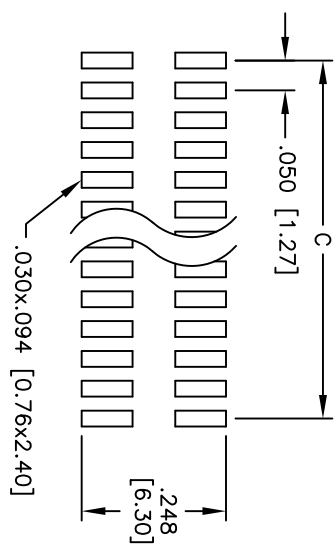
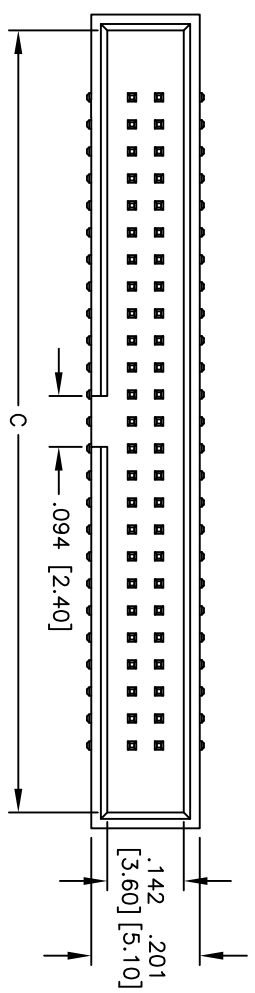


Rev	AWO #	Description	Date	Appr
-		RELEASED	5/20/09	

APPROVED: _____
 DATE: _____ TITLE: _____



SPECIFICATIONS:
 Material: Insulator: HI-temp thermoplastic, rated UL 94V-0
 Insulator color: Black
 Contacts: Brass
 Plating: Gold flash over Nickel underplate overall

Electrical:
 Operating voltage: 250 VAC max.
 Current rating: 1 Amp max.
 Contact resistance: 20 mohms max. initial
 Insulation resistance: 5,000 Mohms min.
 Dielectric withstanding voltage: 500 VAC for 1 minute

Temperature Rating: Operating temperature: -40°C to +105°C
Environmental: Lead free, RoHS compliant
 Recommended soldering temp: 260°C for 5 seconds



Positions: 6, 10, 12, 14, 16, 20, 26, 30, 34, 40, 44, 50,
 60, 64, 68, 80, 100
 A = .050 [1.27] x No. of Spaces + .298 [7.57]
 B = .050 [1.27] x No. of Spaces + .239 [6.07]
 C = .050 [1.27] x No. of Spaces

UNLESS OTHERWISE SPECIFIED
 ALL DIMENSIONS ARE INCHES [MM]
 TOLERANCES: EXCEPT AS NOTED
 INCHES: X ± .10 ØXX ± .10
 .XX ± .020 .XX ± .015
 .XXX ± .015 ØXXX ± .010

ADAM TECH
 909 Rahway Avenue, Union, NJ 07083
 Phone: 908-687-5000 Fax: 908-687-5710

DRAWN		DATE		TITLE	
APPROVED	DY	5/20/09		.050" X .050" BOX HEADER VERTICAL MOUNT, SURFACE MOUNT	
CHECKED				SIZE	PART NO.
				X	HBHR-B-XX-VG-SMT-B5.4
				REF:	S00041T
				SCALE:	NTS
				SHEET	1 OF 1

6 5 4 3 2 1