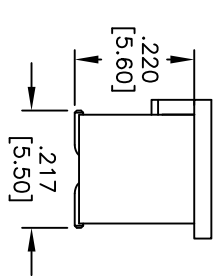
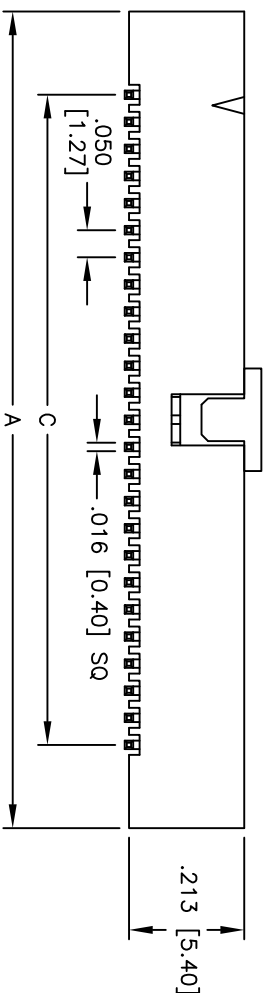
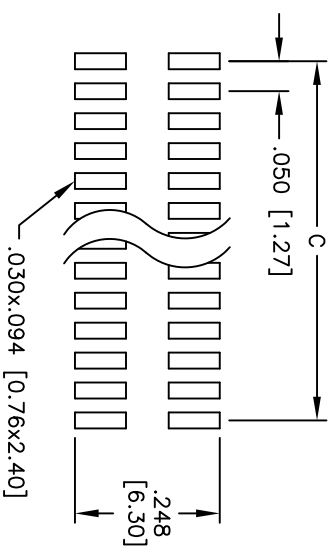
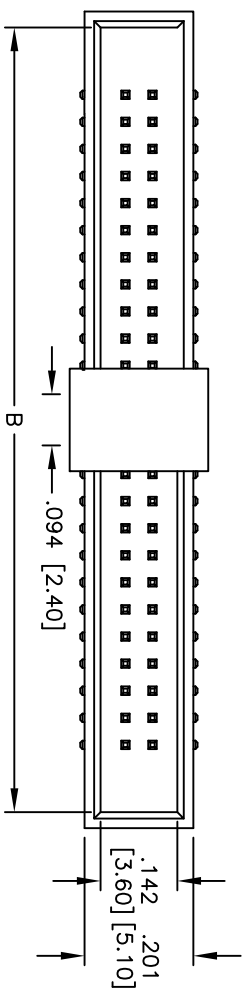


| Rev | AWO # | Description | Date | Appr |
|-----|-------|-------------|---------|------|
| - | | RELEASED | 3/19/10 | |

APPROVED: _____
 DATE: _____ TITLE: _____



RECOMMENDED PCB LAYOUT

PACKAGED TAPE & REEL

Positions: 6, 8, 10, 12, 14, 16, 20, 26, 30, 34, 40, 44, 50,
 60, 64, 68, 80, 100
 A = .050 [1.27] x No. of Spaces + .298 [7.57]
 B = .050 [1.27] x No. of Spaces + .239 [6.07]
 C = .050 [1.27] x No. of Spaces

SPECIFICATIONS:
 Material: Insulator: Hi-temp thermoplastic, rated UL 94V-0
 Insulator color: Black
 Contacts: Brass
 Plating: Gold flash over Nickel underplate overall
 Electrical: Operating voltage: 250 VAC max.
 Current rating: 1 Amp max.
 Contact resistance: 20 mohms max. initial
 Insulation resistance: 5,000 Mohms min.
 Dielectric withstanding voltage: 500 VAC for 1 minute
 Temperature Rating: Operating temperature: -40°C to +105°C
 Environmental: Lead free, RoHS compliant
 Recommended soldering temp: 260°C for 5 seconds



UNLESS OTHERWISE SPECIFIED
 ALL DIMENSIONS ARE INCHES [MM]
 TOLERANCES: EXCEPT AS NOTED

| INCHES | HOLDS |
|-------------|-------------|
| .X ± .10 | ØXX ± .10 |
| .XX ± .020 | ØXX ± .015 |
| .XXX ± .015 | ØXXX ± .010 |

APPROVALS

| APPROVALS | DATE |
|-----------|---------|
| DRAWN | 3/19/10 |
| CHECKED | |
| APPROVED | |

ADAM TECH
 909 Railway Avenue, Union, NJ 07083
 Phone: 908-687-5000 Fax: 908-687-5710

TITLE: .050" x .050" BOX HEADER
 VERTICAL MOUNT, SURFACE MOUNT

| SIZE | PART NO. | REV. |
|------|------------------------------|------|
| X | HBHR-B-XX-VG-SMT-B5.4-PP-T/R | - |

REF: S00041T SCALE: NTS SHEET 1 OF 1