

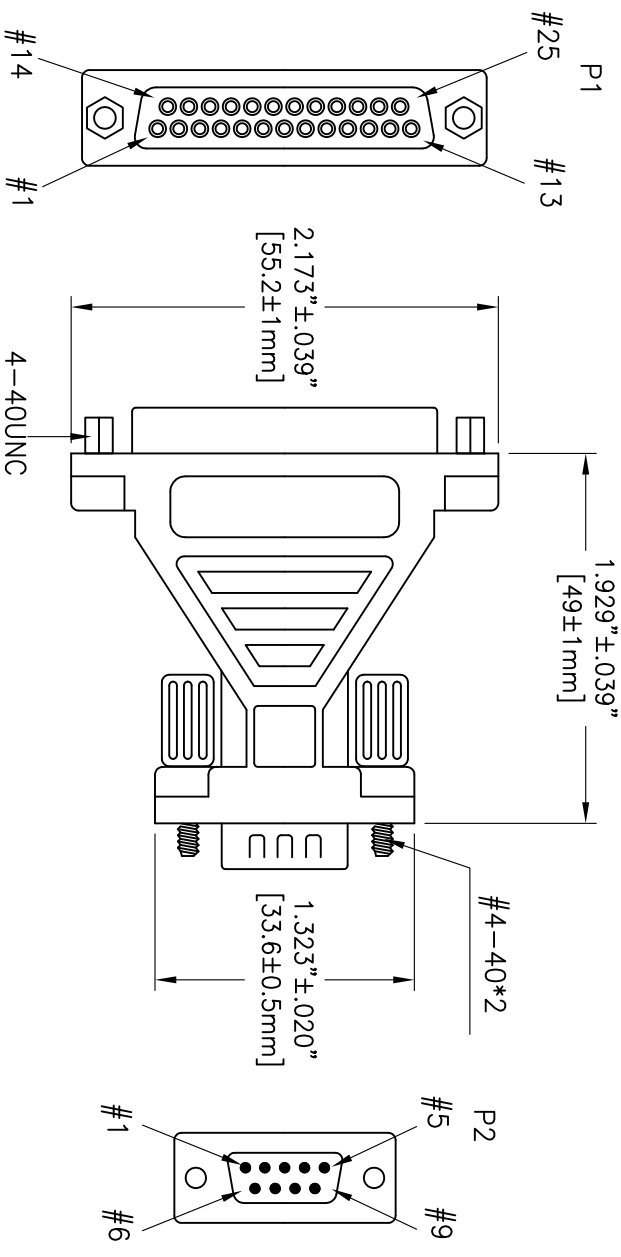
| Rev | AWO # | Description | Date | Appr |
|-----|-------|-------------|---------|------|
| - | | RELEASED | 5/16/11 | |

6 5 4 3 2 1

APPROVED: _____ TITLE: _____

DATE: _____

| PIN ASSIGNMENT | |
|----------------|----|
| P1 | P2 |
| 8 | 1 |
| 3 | 2 |
| 2 | 3 |
| 20 | 4 |
| 7 | 5 |
| 6 | 6 |
| 4 | 7 |
| 5 | 8 |
| 22 | 9 |
| S | S |



SPECIFICATIONS:

Connector:
P1=D-SUB, 25P, Female, color Blue
P2=D-SUB, 9P, Male, color Blue
Cable:
UL1007, 26AWG
Environmental:
Lead free, RoHS Compliant

UNLESS OTHERWISE SPECIFIED
ALL DIMENSIONS ARE MM. [INCHES]
TOLERANCES: EXCEPT AS NOTED
INCHES HOLES

| | | | |
|------|--------|-------|--------|
| .X | ± .10 | ØXX | ± .10 |
| .XX | ± .020 | ØXXX | ± .015 |
| .XXX | ± .015 | ØXXXX | ± .010 |

ADAM TECH
909 Railway Avenue, Union, NJ 07083
Phone: 908-687-5000 Fax: 908-687-5710

TITLE
GENDER CHANGER, D-SUB 25PIN SOCKET
TO D-SUB 9PIN PLUG, COLOR BLUE

| APPROVALS | DATE | SIZE | PART NO. | REV. |
|-----------|------|---------|---------------------|------|
| DRAWN | DY | 5/16/11 | GC-25S/JS-09P/T5-BU | - |
| CHECKED | | | | |
| APPROVED | | | | |

REF: S00087T SCALE: NTS SHEET 1 OF 1

6 5 4 3 2 1