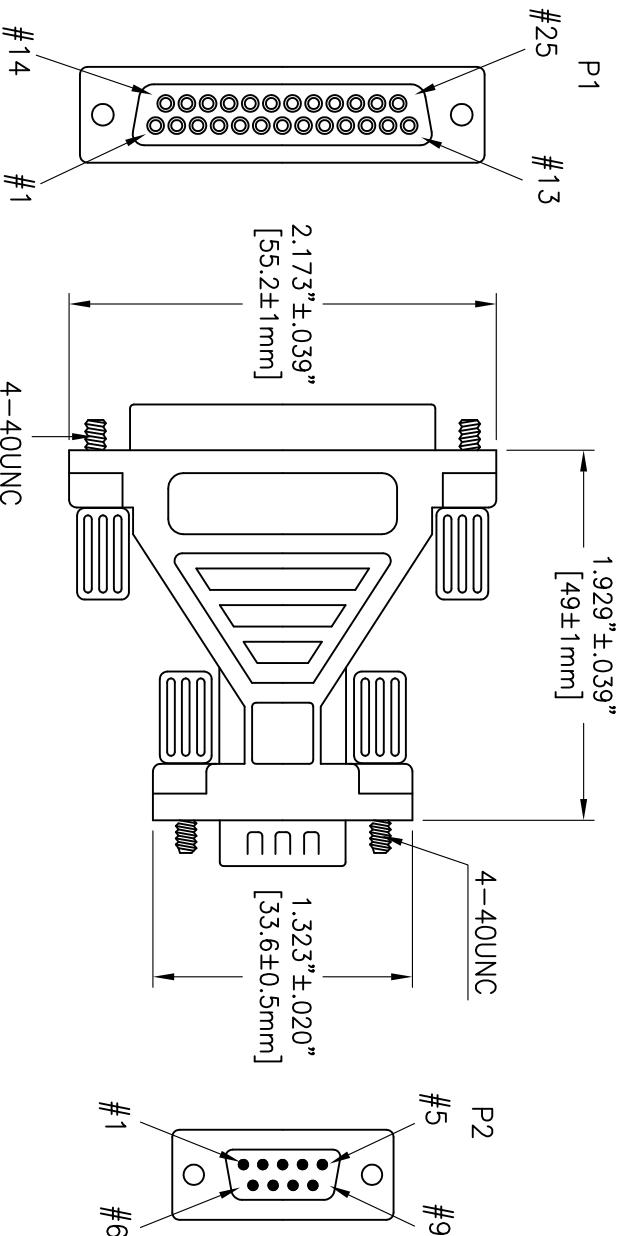


| Rev | AWO # | Description | Date | Appr |
|-----|-------|-------------|---------|------|
| - | | RELEASED | 5/19/11 | |

APPROVED: _____
 DATE: _____ TITLE: _____

| PIN ASSIGNMENT | |
|----------------|----|
| P1 | P2 |
| 8 | 1 |
| 3 | 2 |
| 2 | 3 |
| 20 | 4 |
| 7 | 5 |
| 6 | 6 |
| 4 | 7 |
| 5 | 8 |
| 22 | 9 |
| S | S |



SPECIFICATIONS:

Connector:
 P1=D-SUB, 25P, Female, color Blue insulator, color Black overmold.
 P2=D-SUB, 9P, Male, color Blue insulator, color Black overmold.
 Environmental:
 Lead free, RoHS Compliant

| | |
|---|-------------|
| UNLESS OTHERWISE SPECIFIED ALL DIMENSIONS ARE MM [INCHES] TOLERANCES: EXCEPT AS NOTED | |
| INCHES | HOLDS |
| .X ± .10 | ØX ± .10 |
| .XX ± .020 | ØXX ± .015 |
| .XXX ± .015 | ØXXX ± .010 |
| APPROVALS | DATE |
| DRAWN DY | 5/19/11 |
| CHECKED | |
| APPROVED | |

ADAM TECH
 909 Railway Avenue, Union, NJ 07083
 Phone: 908-687-5000 Fax: 908-687-5710

TITLE: GENDER CHANGER, D-SUB 25PIN SOCKET
 TO D-SUB 9PIN PLUG, COLOR BLUE INSULATOR

SIZE: X PART NO.: GC-25S-09P-TS-BU
 REF: S00087T SCALE: NTS SHEET 1 OF 1

