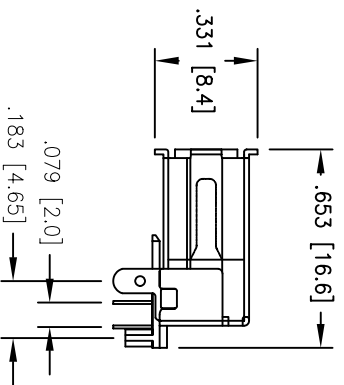
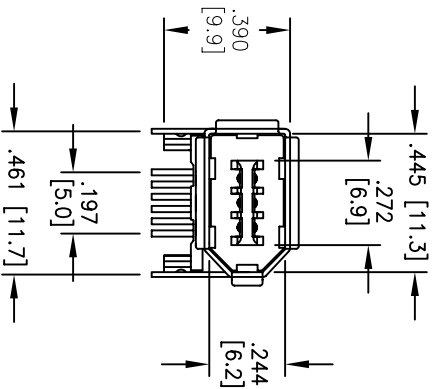
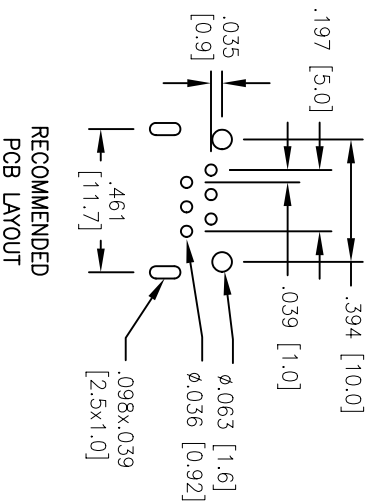
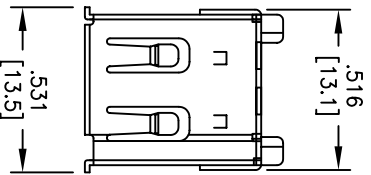


Rev	AWO #	Description	Date	Appr
-		RELEASED	9/21/04	

APPROVED: _____ TITLE: _____
 DATE: _____



SPECIFICATIONS:

Material:

Insulator: PBT, glass reinforced, rated UL 94V-0

Insulator color: White

Contacts: Phosphor Bronze or Brass

Plating:

Gold Flash over Nickel underplate on contact area, Tin over Copper underplate on tails

Electrical:

Operating voltage: 250 VAC max

Current rating: 1 Amps max

Contact resistance: 30 mohms max.

Insulation resistance: 100 Mohms min.

Dielectric withstanding voltage: 250 VAC for 1 minute

Temperature Rating:

Operating temperature: -40°C to +85°C

UNLESS OTHERWISE SPECIFIED ALL DIMENSIONS ARE INCHES [MM]	
TOLERANCES: EXCEPT AS NOTED	
INCHES	HOLDS
.X ± .10	ØX ± .10
.XX ± .020	ØXX ± .015
.XXX ± .015	ØXXX ± .010
APPROVALS	DATE
DRAWN	SS
CHECKED	
APPROVED	

ADAM TECH	
909 Rahway Avenue, Union, NJ 07083	
Phone: 908-687-5000 Fax: 908-687-5710	
TITLE: FIRE WIRE CONNECTOR, RIGHT ANGLE	
PCB, WHITE INSULATOR	
SIZE	PART NO.
X	FWC-C-S-RA-WT
SCALE:	NTS
SHEET	1 OF 1