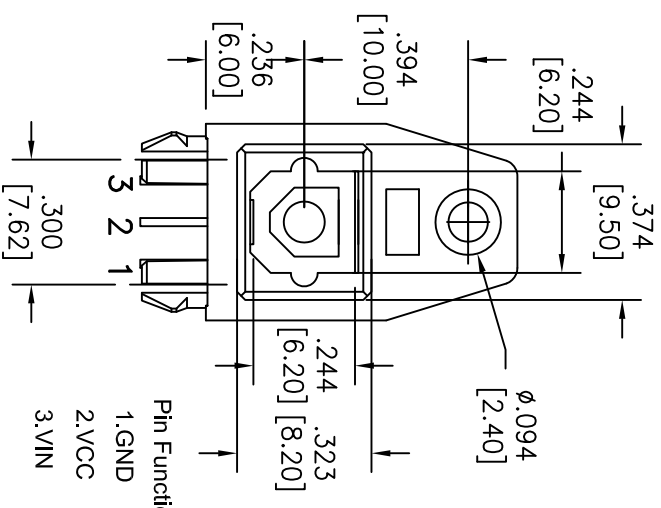
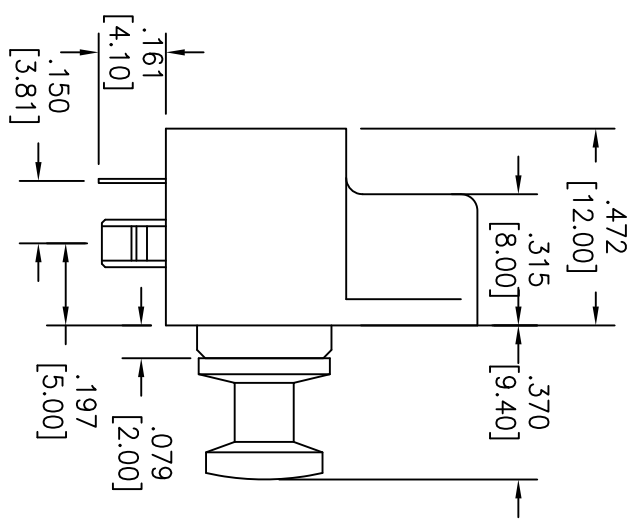
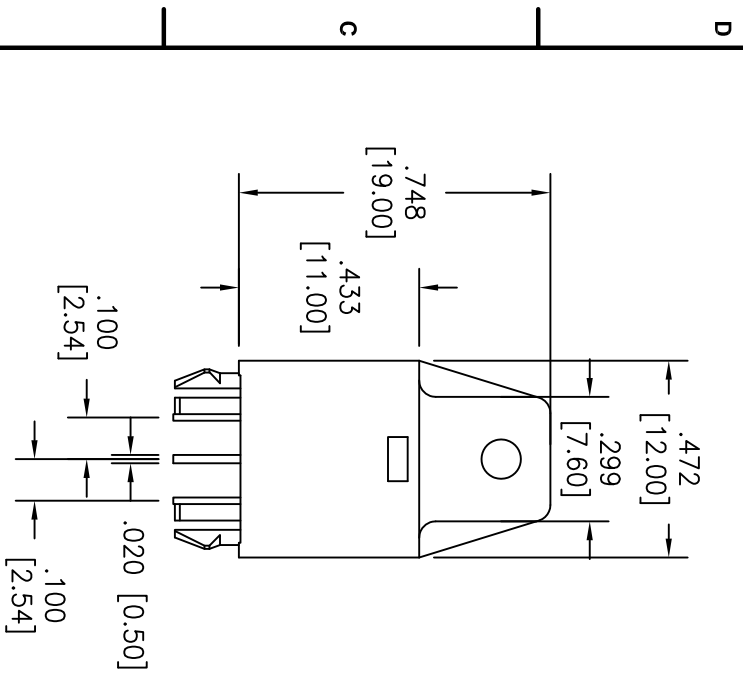
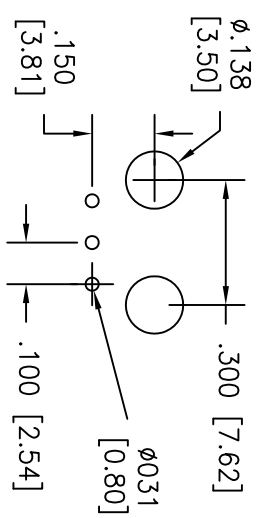


Rev	AWO #	Description	Date	Appr
-		RELEASED	12/1/10	

APPROVED: _____ TITLE: _____
 DATE: _____



Pin Function:
 1. GND
 2. VCC
 3. VIN



Recommended PCB Layout

SPECIFICATIONS:

Material: PBT, Glass reinforced, rated UL 94V-0
 Insulator color: Black
 Contacts: Phosphor Bronze
 Plating: Tin over copper underplate overall
 Electrical: Absolute Maximum Ratings (Ta = 25°C)

Parameter	Symbol	Rating	Symbol
Supply Voltage	Vcc	-0.5 to 7.0	V
DC Input Voltage	Vin	-0.5 to Vcc+ 0.50 V	V
Power Dissipation	P	120	mW
Storage Temperature	Tstg	-30 to 80	°C
Operating Temperature	Topr	-20 to 70	°C
Soldering Temperature	Tsol	260°	°C

* Soldering Time: 5s/2times.
 Environmental:
 Lead free, RoHS compliant.



UNLESS OTHERWISE SPECIFIED
 ALL DIMENSIONS ARE INCHES [MM]
 TOLERANCES: EXCEPT AS NOTED
 INCHES: .10 .020 .015
 .XX ± .020 ØXXX ±.015
 .XXX ± .015

ADAM TECH
 909 Railway Avenue, Union, NJ 07083
 Phone: 908-687-5000 Fax: 908-687-5710

FIBER OPTIC DATA LINK

APPROVALS	DATE
DRAWN AY	12/1/10
CHECKED AH	12/1/10
APPROVED	

SIZE	PART NO.	REV.
X	FODL-002	-

REF: S00033C SCALE: NTS SHEET 1 OF 1