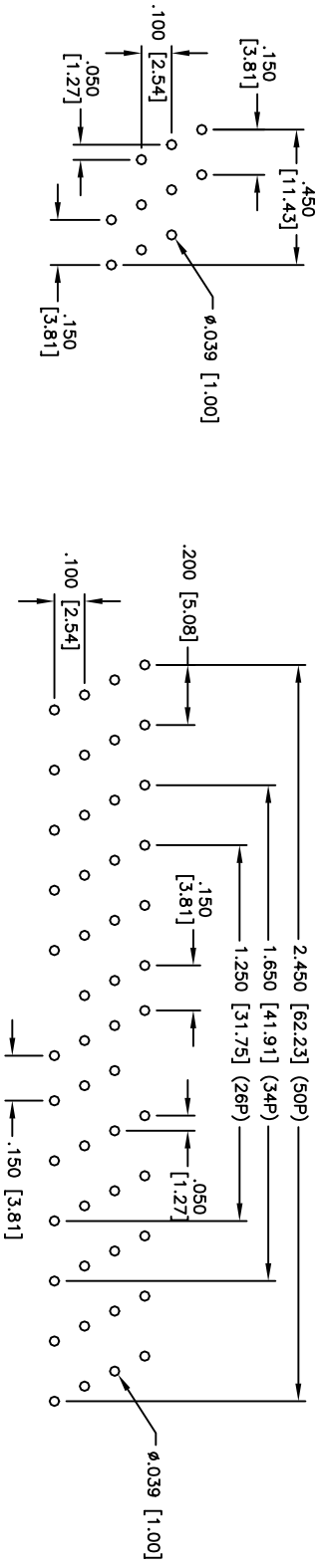


APPROVED: _____ TITLE: _____

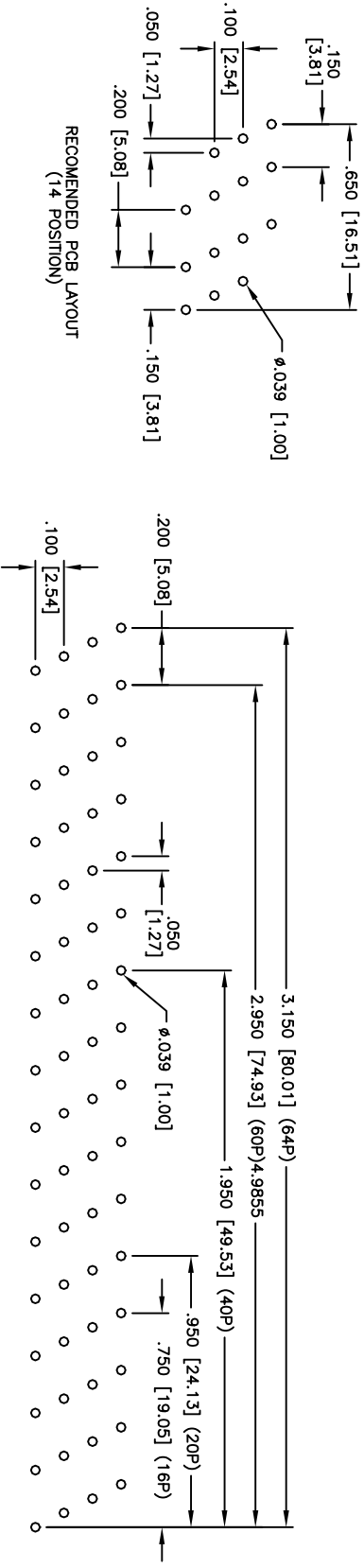
DATE: _____

Rev	AWO #	Description	Date	Appr
		SEE SH1 1 OF 1 FOR REVISION		



RECOMMENDED PCB LAYOUT
(10 POSITION)

RECOMMENDED PCB LAYOUT
(26, 34 & 50 POSITION)



RECOMMENDED PCB LAYOUT
(14 POSITION)

RECOMMENDED PCB LAYOUT
(16, 20, 40, 60 & 64 POSITION)

UNLESS OTHERWISE SPECIFIED
ALL DIMENSIONS ARE INCHES [MM]
TOLERANCES: EXCEPT AS NOTED

INCHES	HOLES
X ± .10	Ø.X ± .10
.XX ± .020	Ø.XX ± .015
.XXX ± .015	Ø.XXX ± .010

APPROVALS

DATE	DATE
SS	12/05/05

ADAM TECH
909 Railway Avenue, Union, NJ 07083
Phone: 908-687-5000 Fax: 908-687-5710

TITLE: .050 [1.27] 4 ROW TRANSITION PLUG
FOR SINGLE LAYER .025" FLAT CABLE

SIZE	PART NO.	REV.
X	FDH-XX-SG	-

SCALE: NTS SHEET 2 OF 2