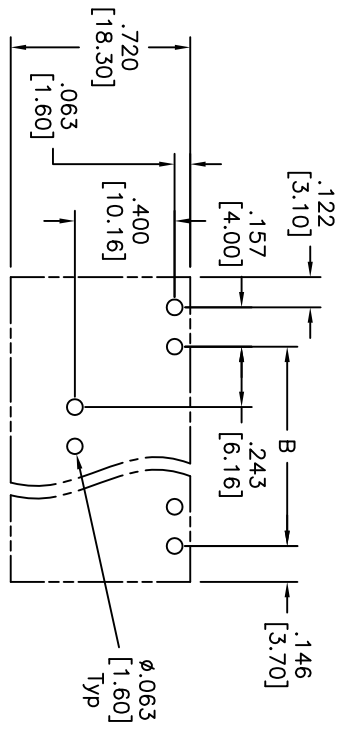
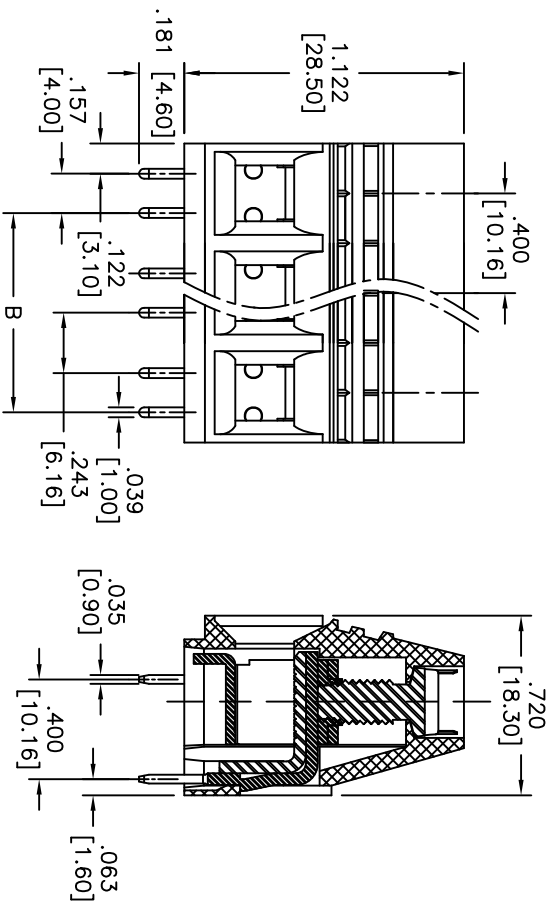
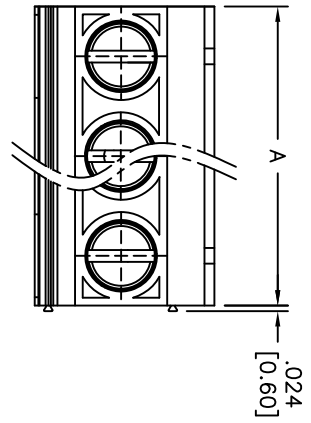


Rev	AWO #	Description	Date	Appr
-		RELEASED	2/8/11	

APPROVED: _____
 DATE: _____ TITLE: _____



RECOMMENDED PCB LAYOUT

SPECIFICATIONS:

- Material: Insulator: Thermoplastic, rated UL 94V-0
- Insulator color: Grey
- Clamp: Stainless steel, Zinc plated
- Wire guard solder pin: Copper, Tin plated
- Screw: Steel Zinc plating
- Electrical: Operation voltage: 300 VAC max
- Current rating: 65 Amps max per Pole
- Dielectric withstanding voltage: 1600 VAC for 1 minute
- Mechanical: Screw Torque(Lb-In): 19
- Environmental: Operating temperature: -40°C to +115°C
- Lead free, ROHS compliant.
- Recommended soldering temp: 235°C for 5 sec.

Poles: 2 thru 12
 A = .400 [10.16] X No. of Poles
 B = .400 [10.16] X No. of Spaces

UNLESS OTHERWISE SPECIFIED
 ALL DIMENSIONS ARE MM [INCHES]
 TOLERANCES: EXCEPT AS NOTED

INCHES	HOLES
.X ± .10	ØX ± .10
.XX ± .020	ØXXX ± .015
.XXX ± .015	ØXXX ± .010

ADAM TECH
 909 Rahway Avenue, Union, NJ 07083
 Phone: 908-687-5000 Fax: 908-687-5710

TITLE: TERMINAL BLOCK, .400" [10.16] PITCH, PCB, GREY

Environmental:
 Operating temperature: -40°C to +115°C
 Lead free, ROHS compliant.
 Recommended soldering temp: 235°C for 5 sec.



APPROVALS	DATE
DRAWN AY	2/8/11
CHECKED JL	2/8/11
APPROVED	

SIZE	PART NO.	REV.
X	EBYD-XX-J-GY	

REF: S00007T SCALE: NTS SHEET 1 OF 1