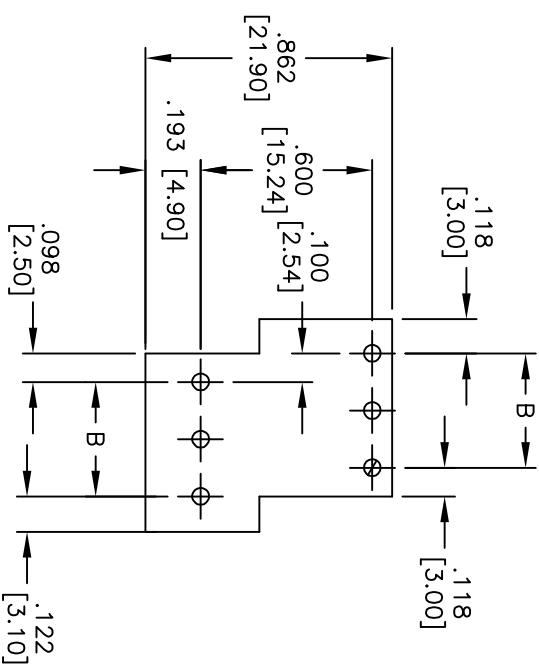
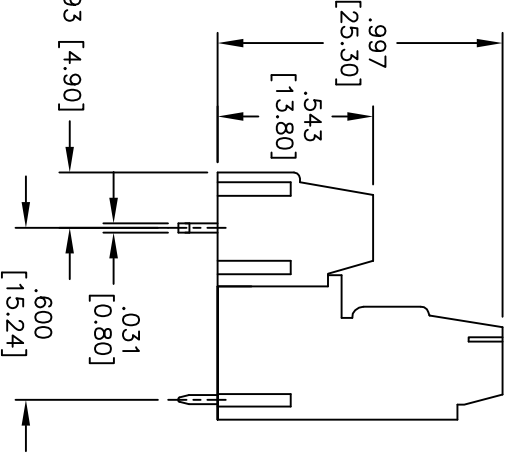
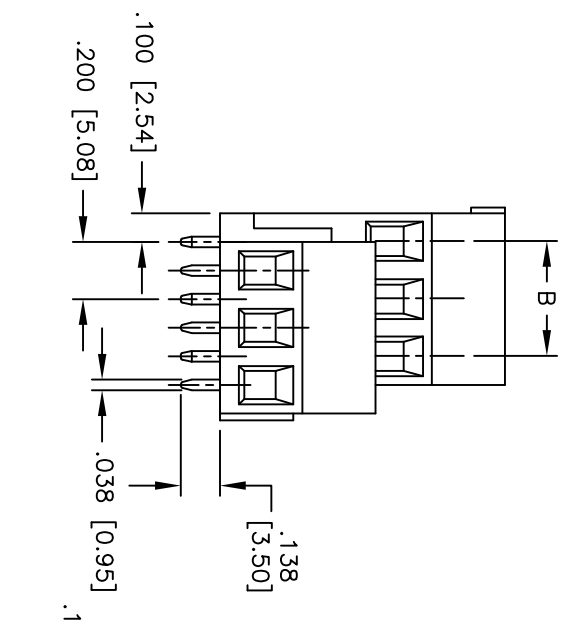
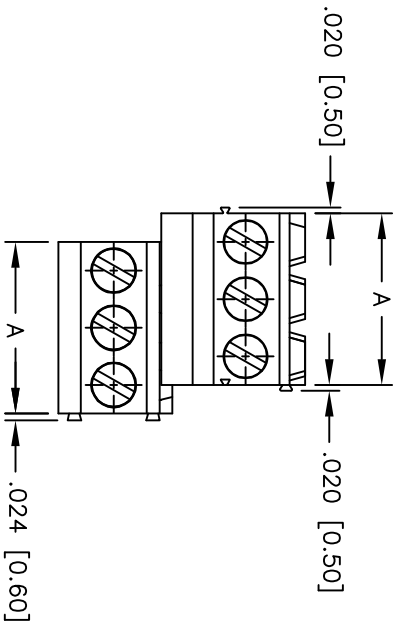


Rev	AWO #	Description	Date	Appr
-		RELEASED	4/26/07	

APPROVED: _____
 DATE: _____ TITLE: _____



A = .200 [5.08] x No. of Positions
 B = .200 [5.08] x No. of Spaces

RECOMMENDED P.C.B. LAYOUT

SPECIFICATIONS:
 Material:
 Insulator: Nylon, rated UL 94V-0
 Insulator color: Green
 Plating:
 Tin over Nickel underplate overall.
 Electrical:
 Operation voltage: 300V max
 Current rating: 10 Amps max per Pole
 Insulation resistance: 5000 Mohms min @ 1000V
 Dielectric withstanding voltage: 2000 VAC for 1 minute
 Environmental:
 Operating temperature: -33°C to +120°C
 Recommended Soldering Temp: 235°C for 5 Seconds.



UNLESS OTHERWISE SPECIFIED ALL DIMENSIONS ARE INCHES [MM]	
TOLERANCES: EXCEPT AS NOTED	HOLDS
INCHES	±.10
.X ±.10	Ø.X
.XX ±.020	Ø.XX
.XXX ±.015	Ø.XXX
.XXX ±.015	Ø.XXX
APPROVALS	DATE
DRAWN	BW
CHECKED	
APPROVED	

TITLE		EURO BLOCK, DUAL	
909 Rahway Avenue, Union, NJ 07083		Phone: 908-687-5000 Fax: 908-687-5710	
ADAM TECH			
SIZE	PART NO.	EBV2-XX-D	REV.
X			
SCALE:	NIS	SHEET	1 OF 1