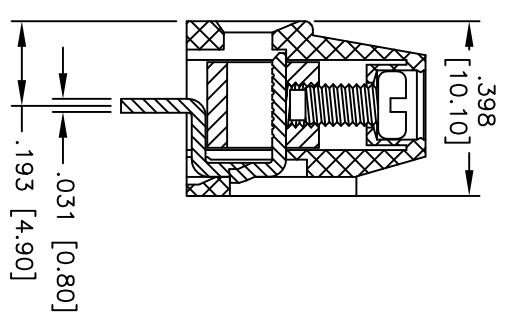
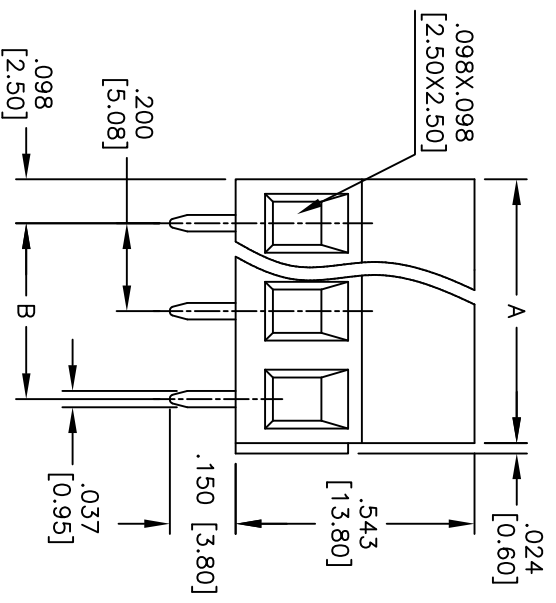
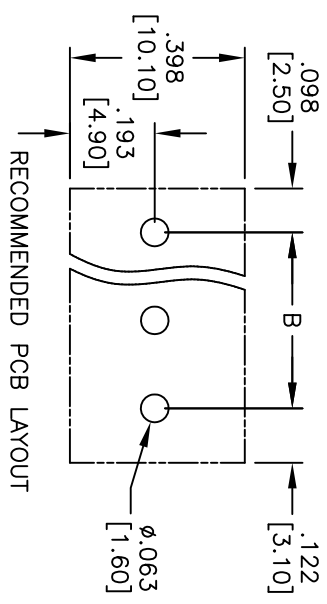
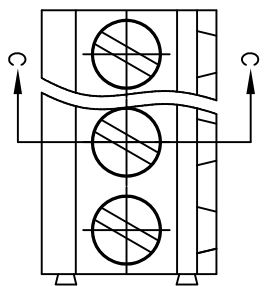


APPROVED: _____
 DATE: _____ TITLE: _____



SPECIFICATIONS:

- Material: Thermoplastic, rated UL 94V-0
- Insulator color: Black
- Wire guard solder pin: Brass, Tin plated.
- Screw: Steel, M2.5/Zinc plated.
- Clamp: Brass, Nickel plated.
- Electrical:
 - Operation voltage: 300 VAC max
 - Current rating: 10 Amps max per Pole
 - Dielectric withstanding voltage: 1600 VAC for 1 minute
- Mechanical:
 - Torque(Lb-In): 3.5
 - Wire Range: 12-24 Awg.
- Environmental:
 - Operating temperature: -40°C to +115°C
 - Lead free, RoHS compliant.
 - Recommended soldering temp: 235°C for 5 sec.

Poles: 2 thru 24
 A = .200 [5.08] X No. of Positions
 B = .200 [5.08] x No. of Spaces

UNLESS OTHERWISE SPECIFIED
 ALL DIMENSIONS ARE MM [INCHES]
 TOLERANCES: EXCEPT AS NOTED

X	± .10	ØX	± .10
.XX	± .020	ØXX	± .015
.XXX	± .015	ØXXX	± .010

APPROVALS

DRAWN	DY	1/21/11
CHECKED		
APPROVED		

ADAM TECH
 909 Rahway Avenue, Union, NJ 07083
 Phone: 908-687-5000 Fax: 908-687-5710

TITLE
TERMINAL BLOCK, .200" [5.08] PITCH

SIZE	PART NO.	REV.
X	EBV-XX-D-BK	
REF: S00007T	SCALE: NTS	SHEET 1 OF 1

Rev	AWO #	Description	Date	Appr
-		RELEASED	1/21/11	

