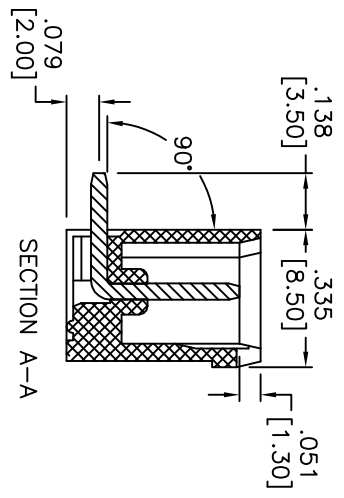
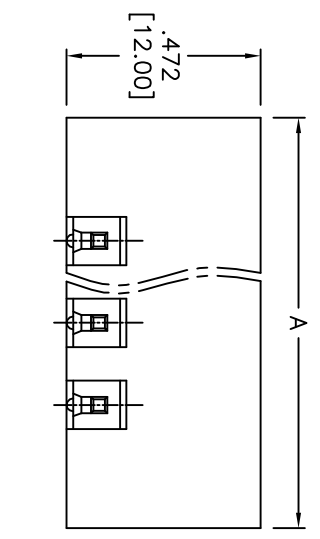
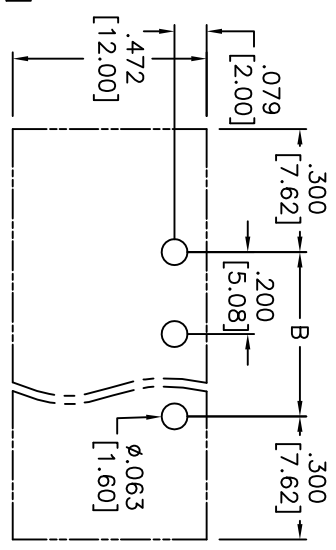
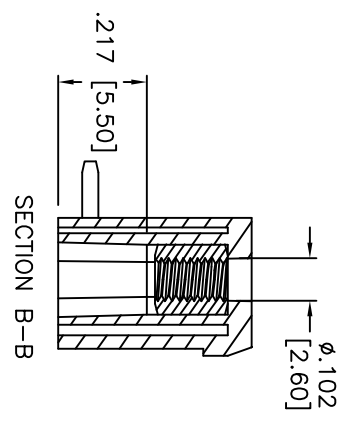
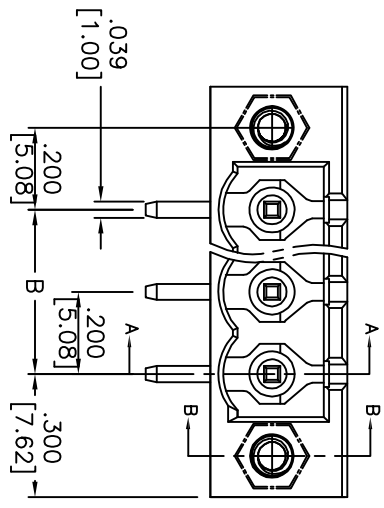


| Rev | AWO # | Description | Date     | Appr |
|-----|-------|-------------|----------|------|
| -   |       | RELEASED    | 11/11/09 |      |

APPROVED: \_\_\_\_\_  
 DATE: \_\_\_\_\_ TITLE: \_\_\_\_\_



Positions: 02 thru 24  
 A = .200 [5.08] x No. of (Positions + 2)  
 B = .200 [5.08] x No. of Spaces

**SPECIFICATIONS:**  
 Material: Insulator: Thermoplastic, rated UL 94V-0  
 Insulator color: Green  
 Contact: Brass, Tin plated  
 Flange nut: Brass, M2.5  
 Electrical:  
 Operation voltage: 300 VAC max  
 Current rating: 20 Amps max per Pole  
 Dielectric withstanding voltage: 1600 VAC for 1 minute  
 Environmental:  
 Operating temperature: -40°C to +115°C  
 Lead free, RoHS compliant.  
 Recommended soldering temp: 235°C for 5 sec.



**ADAM TECH**  
 909 Rehoy Avenue, Union, NJ 07083  
 Phone: 908-687-5000 Fax: 908-687-5710

TITLE: **.200" [5.08] PITCH, TERMINAL BLOCK, W/FLANGE**

|   |              |              |        |
|---|--------------|--------------|--------|
| UNLESS OTHERWISE SPECIFIED<br>ALL DIMENSIONS ARE MM [INCHES]<br>TOLERANCES: EXCEPT AS NOTED<br>INCHES |              | HOLE SIZES   |        |
| .X ± .10  | ØXX ± .10    | ØXX ± .10    | ± .10  |
| .XX ± .020  | ØXXX ± .015  | ØXXX ± .015  | ± .015 |
| .XXX ± .015   | ØXXXX ± .010 | ØXXXX ± .010 | ± .010 |
| APPROVALS   |              | DATE         |        |
| DRAWN   | DY           | 11/11/09     |        |
| CHECKED   |              |              |        |
| APPROVED  |              |              |        |

|              |            |              |
|--------------|------------|--------------|
| SIZE         | PART NO.   | REV.         |
| X            | EBO-XX-D-E | -            |
| REF: S00007T | SCALE: NTS | SHEET 1 OF 1 |