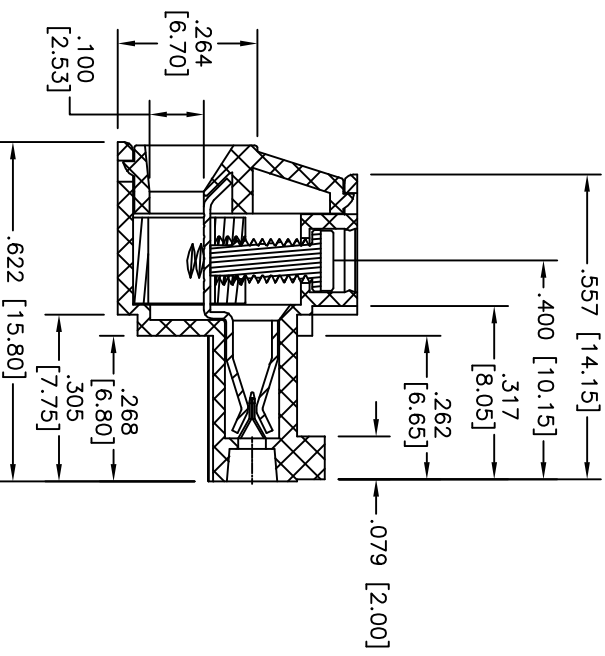
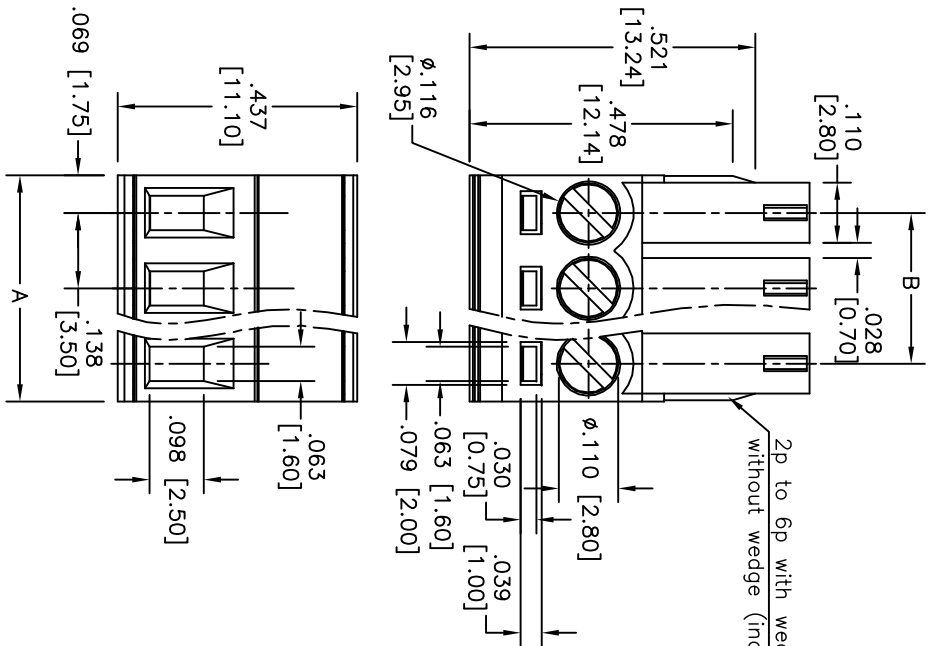


Rev	AWO #	Description	Date	Appr
-		RELEASED	7/01/10	

APPROVED: _____

DATE: _____ TITLE: _____



SPECIFICATIONS:

- Material: Insulator: Thermoplastic, rated UL 94V-0
- Insulator color: Green
- Wire Guard: Phosphor Bronze, Tin plated
- Terminal Body: Brass, Zinc plated
- Screw: Steel, Zinc plated
- Electrical:
 - Operation voltage: 300V
 - Current rating: 10 Amps
 - Dielectric withstanding voltage: 1600 VAC for 1 minute
- Stranded wire (AWG): 16-26
- Environmental:
 - Lead free, RoHS compliant.
 - Operating temperature: -40°C to +115°C



2 thru 24 Poles Available
 A = .138 [3.50] x No. of Poles
 B = .138 [3.50] x No. of Spaces

ADAM TECH

909 Rahway Avenue, Union, NJ 07083
 Phone: 908-687-5000 Fax: 908-687-5710

TITLE: PLUGGABLE BLOCK, PITCH .138 [3.50]
 2 THRU 24 POLES

UNLESS OTHERWISE SPECIFIED ALL DIMENSIONS ARE INCHES [MM]	
TOLERANCES: EXCEPT AS NOTED	
INCHES	HOLDS
.X ± .10	± .10
.XX ± .020	± .015
.XXX ± .015	± .010
.XXX ± .015	± .010
APPROVALS	DATE
DRAWN	DY
CHECKED	
APPROVED	

SIZE	PART NO.	REV.
X	EBK-XX-A	-
REF: S00026C	SCALE: NTS	SHEET 1 OF 1