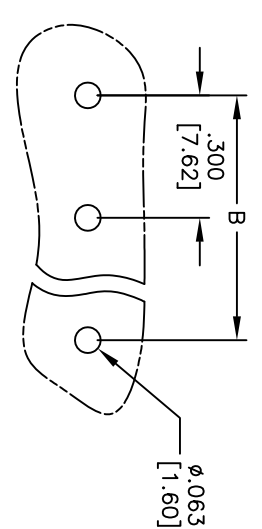
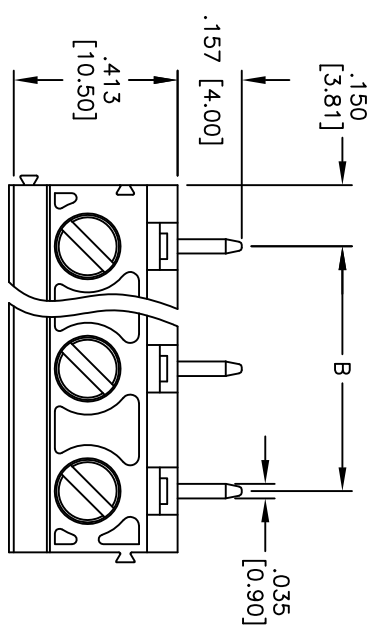
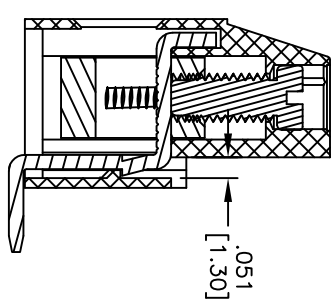
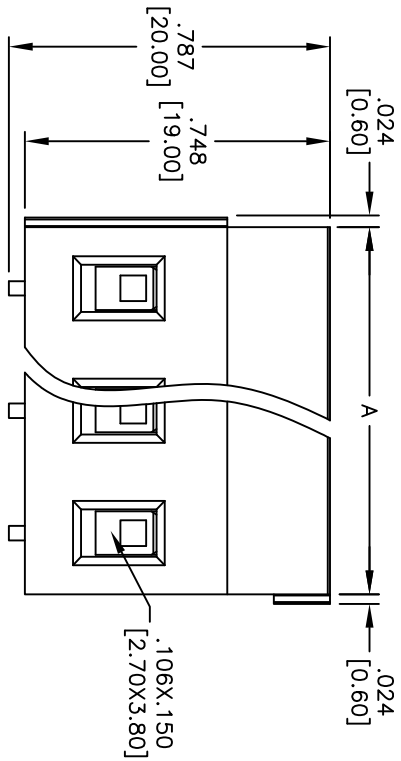


Rev	AWO #	Description	Date	Appr
-		RELEASED	2/02/10	

APPROVED: _____
 DATE: _____ TITLE: _____



RECOMMENDED PCB LAYOUT



SPECIFICATIONS:

- Material: Thermoplastic, rated UL 94V-0
- Insulator color: Green
- Contact: Copper, Tin plated
- Clamp: Brass, Nickel plated
- Screw: M3.5 Steel, Zinc plated
- Electrical:
 - Operation voltage: 300 VAC max
 - Current rating: 20 Amps
 - Screws Torque: 3.5 In-Lb
 - Wire Range: 12-30 AWG Solid or Stranded
 - Withstanding Voltage: 1.6KV
- Environmental:
 - Operating temperature: -40°C to +115°C
 - Lead free, RoHS compliant.
 - Recommended soldering temp: 235°C for 5 sec.

Positions: 2 thru 16
 A= .300 [7.62] x No. of Poles
 B= .300 [7.62] x No. of (Poles-1)

UNLESS OTHERWISE SPECIFIED
 ALL DIMENSIONS ARE MM [INCHES]
 TOLERANCES: EXCEPT AS NOTED
 INCHES

.X	± .10	ØXX	± .10
.XX	± .020	ØXXX	± .015
.XXX	± .015	ØXXX	± .010

DRAWN	DY	2/02/10
CHECKED		
APPROVED		

ADAM TECH
 909 Rahway Avenue, Union, NJ 07083
 Phone: 908-687-5000 Fax: 908-687-5710

TERMINAL BLOCK, PCB, 300 [7.62] PITCH

SIZE	PART NO.	REV.
X	EBLXX-RA-G	-
REF:	S00007T	SHEET 1 OF 1

