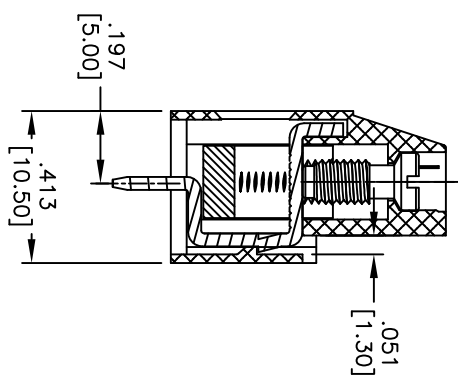
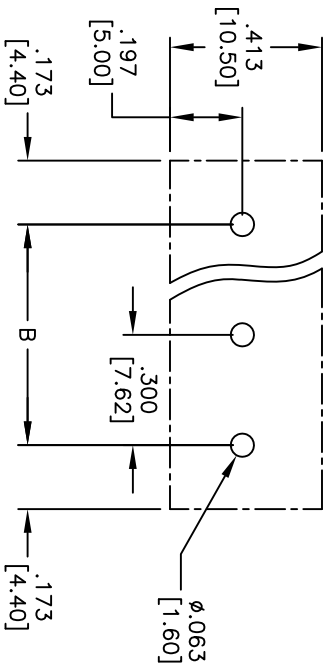
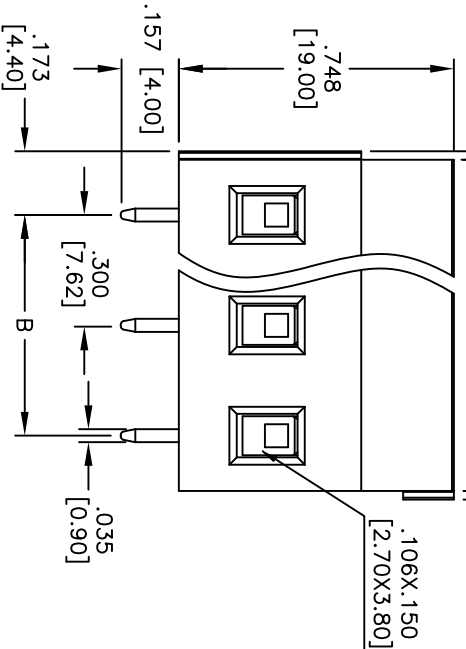
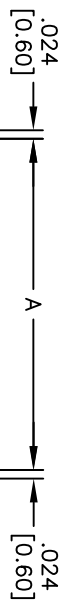
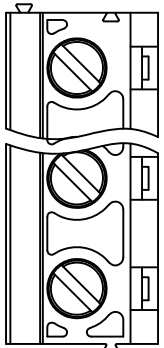


Rev	AWO #	Description	Date	Appr
-		RELEASED	11/18/10	

APPROVED: _____
 DATE: _____ TITLE: _____



SPECIFICATIONS:

- Material: Insulator: Thermoplastic, rated UL 94V-0
- Insulator color: Green
- Contact: Copper, Tin plated
- Clamp: Brass, Nickel plated
- Screw: M3.5 Steel, Zinc plated
- Electrical: Operation voltage: 300 VAC max
- Current rating: 20 Amps
- Screws Torque: 3.5 In-Lb
- Wire Range: 12-30 AWG Solid or Stranded
- Withstanding Voltage: 1.6KV
- Environmental: Operating temperature: -40°C to +115°C
- Lead free, RoHS compliant.
- Recommended soldering temp: 235°C for 5 sec.



Positions: 2 thru 16
 A = .300 [7.62] x No. of Poles
 B = .300 [7.62] x No. of (Poles-1)

UNLESS OTHERWISE SPECIFIED	
ALL DIMENSIONS ARE MM [INCHES]	
TOLERANCES: EXCEPT AS NOTED	
INCHES	HOLDS
.X ± .10	ØXX ± .10
.XX ± .020	ØXXX ± .015
.XXX ± .015	ØXXX ± .010
APPROVALS	DATE
DRAWN DY	11/18/10
CHECKED	
APPROVED	

ADAM TECH
 909 Rahway Avenue, Union, NJ 07083
 Phone: 908-687-5000 Fax: 908-687-5710

TITLE: **TERMINAL BLOCK, PCB, .300 [7.62] PITCH STRAIGHT, PCB TYPE**

SIZE	PART NO.	REV.
X	EBLXX-G	-
REF:	S00007T	
SCALE:	NTS	
SHEET	1 OF 1	